

SPECIFICATIONS

Cylinder: .080" Aluminum, rolled and seam welded. See finish note.

Cylinder Aperture Top: Cast aluminum with 3/16" thick clear tempered glass caulked to frame.

Cylinder Aperture Bottom: Open aperture standard, metal halide fixtures provided with tempered clear glass shield and safety chain. See options and accessories.

Reflector: Spun aluminum #3002, polished to a mirror finish then electro-chemically processed to provide specular finish.

Ballast: Prewired CWA or HX-H.P.F. core and coil with capacitor and starter if required.

Lamp: Phosphor coated (by others).

Lamp Holder: High heat porcelain socket 4KV rated w/ nickel plated copper screw shell, spring loaded center contact, lamp grips, SF-2 leads (200° C). Impregnated gasket. See table.

Mounting Plate: Galvanized plate bolts directly to outlet box. Supports ballast assemblies and fits into wall bracket.

Wall Bracket: Ballast housing cover is aluminum construction, seam welded. Bolts to ballast mounting plate and supports cylinder. Finished same as cylinder.

Finish: Detergent cleaned with iron phosphate and chromic acid rust inhibitor. Chip resistant powder urethane polyester coating, electro-static applied and baked.

Standard colors black, white and bronze. Custom colors are available. Consult factory or sales representative.

Labels: ETL, CETL listed & I.B.E.W labeled; suitable for wet location.

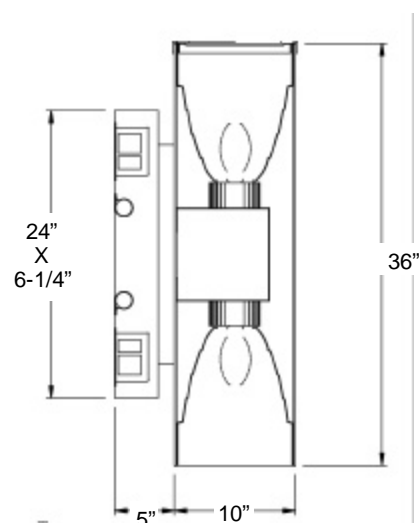
Fixture Warranty: The fixture mechanics are guaranteed to be free from defective material and workmanship, under normal installation and operating conditions, for five years from date of shipment from the factory. See General Terms and Conditions.

Photometric Information: Contact factory.

SPECIFICATIONS SUBJECT TO CHANGE WITHOUT NOTICE



Dimensions



HOW TO ORDER

Architectural open
downlight.



| Catalog Number | Light Source | Watts | Lamp Base |
|---------------------|--------------|-------|-----------|
| Standard/Open Rated | | | |
| W2601510 | HPS | 2-150 | Mog. |
| W26025* | MH | 2-150 | Mog. |
| W26025PAR | MH | 2-50 | Med. |
| W26026/WO26026** | MH | 2-175 | Mog. |

C#73 Tempered prismatic glass lens.



| Catalog Number | Light Source | Watts | Lamp Base |
|---------------------|--------------|-------|-----------|
| Standard/Open Rated | | | |
| W2621510 | HPS | 2-150 | Mog. |
| W26225* | MH | 2-150 | Mog. |
| W26225PAR | MH | 2-150 | Med. |
| W26226/WO26226** | MH | 2-175 | Mog. |

C#73 Prismatic tempered glass lens and



| Catalog Number | Light Source | Watts | Lamp Base |
|---------------------|--------------|-------|-----------|
| Standard/Open Rated | | | |
| W2651510 | HPS | 2-150 | Mog. |
| W26525* | MH | 2-150 | Mog. |
| W26525PAR | MH | 2-150 | Med. |
| W26526/WO26526** | MH | 2-175 | Mog. |

C#73 Prismatic tempered glass lens and
splayed baffle.



| Catalog Number | Light Source | Watts | Lamp Base |
|---------------------|--------------|-------|-----------|
| Standard/Open Rated | | | |
| W2681510 | HPS | 2-150 | Mog. |
| W26825* | MH | 2-150 | Mog. |
| W26825PAR | MH | 2-150 | Med. |
| W26826/WO26826** | MH | 2-175 | Mog. |

Architectural open
downlight with baffle.



| Catalog Number | Light Source | Watts | Lamp Base |
|---------------------|--------------|-------|-----------|
| Standard/Open Rated | | | |
| W2611510 | HPS | 2-150 | Mog. |
| W26125* | MH | 2-150 | Mog. |
| W26125PAR | MH | 2-150 | Med. |
| W26126/WO26126** | MH | 2-175 | Mog. |

Flat fresnel glass lens.



| Catalog Number | Light Source | Watts | Lamp Base |
|---------------------|--------------|-------|-----------|
| Standard/Open Rated | | | |
| W2631510 | HPS | 2-150 | Mog. |
| W26325* | MH | 2-150 | Mog. |
| W26325PAR | MH | 2-150 | Med. |
| W26326/WO26326** | | 2-175 | Mog. |

Fresnel glass lens and
splayed stepped baffle.



| Catalog Number | Light Source | Watts | Lamp Base |
|---------------------|--------------|-------|-----------|
| Standard/Open Rated | | | |
| W2661510 | HPS | 2-150 | Mog. |
| W26625* | MH | 2-150 | Mog. |
| W26625PAR | MH | 2-150 | Med. |
| W26626/WO26626** | MH | 2-175 | Mog. |

Fresnel glass lens and
splayed baffle.



| Catalog Number | Light Source | Watts | Lamp Base |
|---------------------|--------------|-------|-----------|
| Standard/Open Rated | | | |
| W2691510 | HPS | 2-150 | Mog. |
| W26925* | MH | 2-150 | Mog. |
| W26925PAR | MH | 2-150 | Med. |
| W26926/WO26926** | MH | 2-175 | Mog. |

* Includes clear tempered glass lens and safety chain regressed in aperture.

**Only 175 Watt downlight open rated, uplight standard.

Color Suffix

W= White
BZ= Bronze
BL= Black

Voltage Suffix

1=120V 5=480V
2=208V 8=Multi-tap wired for 277V
3=240V 9=Multi-tap unwired.
4=277V 0=347V

ACCESSORIES

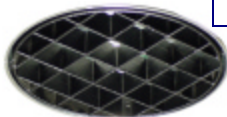


Electronic metal halide ballast option.
Suffix catalog number with "E".
Metal halide only.

| Suffix Catalog # | Quartz Re-strike Systems |
|------------------|--|
| E1A | Mini-Can Socket assembly for separate circuit entry |
| E2 | Emergency re-strike system, mini-can socket assembly |
| E65 | Emergency re-strike system, mini-can socket assembly |



Suffix Catalog #
With
PC4 120 Volt
PC5 208-277 Volt



Louver guard option. Suffix catalog number with LG3.



Fuse and Fuse Holder
Suffix Catalog Number With "F"



Mini cast aluminum wall mount option for electronic metal halide ballast only.



3254 North Kilbourn Avenue Chicago, Illinois 60641-4505
Phone: 773-427-7000 Fax: 800-217-1260 www.escolighting.com

A Woman-Owned Business
Established 1975

