

## SPECIFICATIONS

**Cylinder** .080" Aluminum, rolled and seam welded. See finish note.

**Reflector** .040" Thick polished to specular finish, anodized and sealed.

**Ballast** Prewired C.W.A., H.P.F. core and coil with capacitor and starter for HPS.

**Lamp** Phosphor coated medium base (by others).

**Lamp Holder** High heat porcelain, 4 KV rated with nickel plated copper screw shell, spring loaded center contact, lamp grips, SF-2 leads (200° C). Impregnated gasket.

**Mounting Pan** (Surface Mount) Cast aluminum with 3/4" inner collar, finished to match cylinder housing.

**Mounting Strap** (Surface Mount) Galvanized steel, mounts directly to outlet box. Supports pan with 8-32 studs and wing nuts. Flush style.

**Canopy Set** (Pendant Mount) 0-45° hang straight for 3/8" x 12" long steel pipe standard length with P2 accessory. Finished to match housing.\*\*

**Wall Bracket** (Wall Mount Down Light) One-piece cast aluminum bracket/arm assembly with access plate for wire inspection. Cast aluminum, wall mounting plate with 1/4" thick neoprene gasket. Quick disconnect wiring harness.

**Finish** Detergent cleaned with iron phosphate and chromic acid rust inhibitor. Chip resistant powder urethane polyester coating, electro-static applied and baked. Standard colors black, white and bronze. Custom colors are available. Consult factory or sales representative.

**Labels** Surface and wall mount suitable for wet location; pendant mount suitable for damp location. ETL, CETL and I.B.E.W. labeled.

**Fixture Warranty** The fixture mechanics are guaranteed to be free from defective material and workmanship, under normal installation and operating conditions, for ten years from date of shipment from the factory. See General Terms and Conditions.

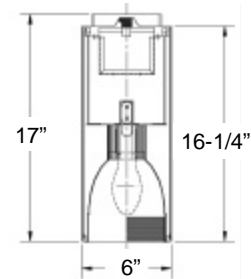
**Photometric Information** Contact factory.

\*\*Canopy set for indoor applications only; contact factory for other applications and designs.

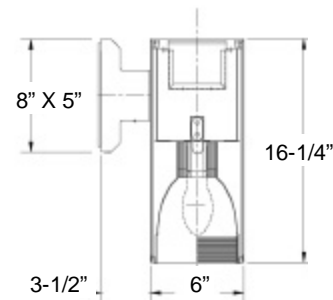
**SPECIFICATIONS SUBJECT TO CHANGE WITHOUT NOTICE**



### Dimensions:



Surface / Pendant Mount



Wall Mount



3254 North Kilbourn Avenue Chicago, Illinois 60641-4505  
 Phone: 773-427-7000 Fax: 800-217-1260 [www.escolighting.com](http://www.escolighting.com)

**A Woman-Owned Business**

**Established 1975**



**Ordering Information**

Surface, Pendant or Wall Mount Down Light			
Catalog Number Standard Lamp / Open Rated Lamp	Watts	Light Source	Lamp Base
S6011	35	HPS	Medium
S6012	50	HPS	Medium
S6013	70	HPS	Medium
S6021PAR	35/39	MH	Medium
S6022* / SO6022	50	MH	Medium
S6023* / SO6023	70	MH	Medium
S6023PAR	70	MH	Medium

\* Includes clear tempered glass lens regressed in aperture.

**Color**  
 Suffix Catalog Number With  
 W= White  
 BZ= Bronze  
 BL= Black

**Voltage**  
 Suffix Catalog Number With  
 1= 120V  
 2= 208V  
 3= 240V  
 4= 277V  
  
 8= Multi-tap wired for 277V.  
 9= Multi-tap unwired.  
 0= 347V

**Options & Accessories**

**Pendant Mount Suffix**

P2=12" long stem (standard)  
 P2X="X" is custom stem length  
**EXAMPLE:** P224= 24" long stem.



**EZ5 Wall Mount**

Change Prefix **S** to **W**.



**Photo Control**

Suffix Catalog # With

**PC4** =120 Volt

**PC5** =277 Volt



**Fuse and Fuse Holder**  
 Suffix Catalog Number With **F**



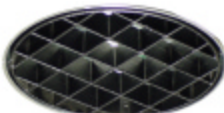
**Mini-Groove Black Baffle**

Replace **60** in catalog number with **61**



**Louver Guard**

Suffix catalog number with **LG3**.



**Ballast Options**

**EM**= Emergency Ballast

**DM**= Dimming Ballast

**Color**

Suffix Catalog Number With

**W**= White

**BZ**= Bronze

**BL**= Black



3254 North Kilbourn Avenue Chicago, Illinois 60641-4505  
 Phone: 773-427-7000 Fax: 800-217-1260 [www.escolighting.com](http://www.escolighting.com)

**A Woman-Owned Business**

**Established 1975**

