



SPECIFICATIONS

LED Chip

84 Luxeon T LED chips. 3000, 4000, and 5000k, 80 CRI. RoHS-compliant, UL-recognized component. See Table.

Dimmable LED Driver

120-277v AC input. 60 watt, 160 watt. Short Circuit, over current, over voltage, over temperature protection. Dimming control 0-10v. IP65 rated. Die cast ADC12 aluminum alloy finned housing. Painted black finish. 11-13/16" long SJTW 18AWG*3C input cable. See detail illustration.

Aluminum Reflectors

Open aperture spun .047" thick 1050 aluminum alloy. Anodized silver finish. Choice of 40° or 60° beam angle.

Polycarbonate Refractor

Open aperture clear polycarbonate prismatic refractor. 70° beam angle.

Mounting System

Stainless steel shoulder pat-

tern eye bolt. 1" I.D. x 1.75" O.D. x .375" thick.

Heat Sink

Aluminum Alloy 6063 and Aluminum Alloy 1050 extruded stack fin design with internal heat pipe. Electrophoretic deposition coated black.

Fixture Warranty

The mechanics are guaranteed to be free from defective material and workmanship, under normal installation and operating conditions, for five years from date of shipment from the factory. See general terms and conditions.

Photometric Information

Contact factory.

Energy Data

40°C (104°F) Max. Temperature, Universal AC input / Full range (up to 305VAC), Constant Current Built-in active PFC function, Protections: Short circuit / Over current / Over voltage / Over temperature.

Certification and Labels

UL8750, CSA C22.2 No.250.13-12,

EN61347-1, EN61347-2-13 approved, design refer to EN60950 IP65 Suitable for dry / damp / wet locations.

SPECIFICATIONS SUBJECT TO CHANGE WITHOUT NOTICE



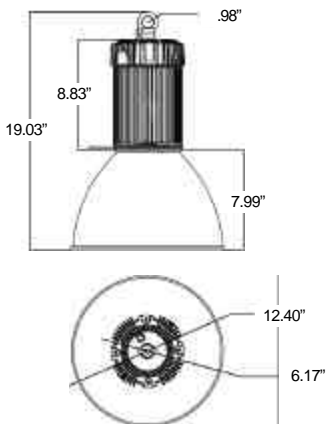
HBLA Aluminum Reflector



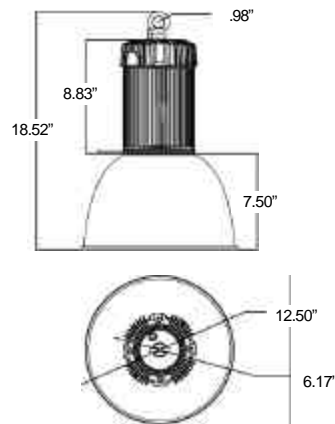
HBLP Polycarbonate Reflector

DIMENSIONS

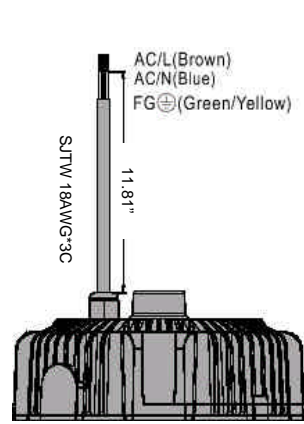
Aluminum Reflector



Polycarbonate Refractor



Input Cord Detail



WBE City of Chicago Certified

3254 North Kilbourn Avenue Chicago, Illinois 60641-4505
 Phone: 773-427-7000 Fax: 800-217-1260 www.escolighting.com
 Established 1975



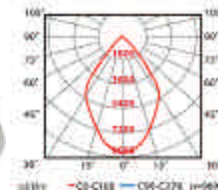


HOW TO ORDER

Aluminum Reflector Catalog Number	Total System Watts	Color Temp	CRI	Lumens
HBLA63	140w	3000K	80	11000
HBLA64	140w	4000K	80	12000
HBLA65	140w	5000K	80	13000



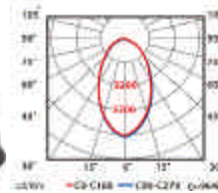
- Beam Angle 60°
- Field Angle 80°



Polycarbonate Reflector Catalog Number	Total System Watts	Color Temp	CRI	Lumens
HBLP3	140w	3000K	80	11000
HBLP4	140w	4000K	80	12000
HBLP5	140w	5000K	80	13000



- Beam Angle 70°
- Field Angle 140°



EXAMPLE ORDER: HBLP5 = Open clear prismatic polycarbonate lens, 140W, 13000 lumens, 5000K, LED highbay.

ACCESSORIES AND OPTIONS

Cord Sets		
Catalog Suffix	Voltage	NEMA Configuration
PL-1	120	L5-15
PL-2	208/240	L6-15
PL-3	277	L7-15



WBE City of Chicago Certified

3254 North Kilbourn Avenue Chicago, Illinois 60641-4505
 Phone: 773-427-7000 Fax: 800-217-1260 www.escolighting.com
 Established 1975

