



SPECIFICATIONS

Cylinder: .080" thick aluminum rolled and seam welded. See finish note.

Reflector: Spun aluminum #3002, polished to a mirror finish then electro-chemically processed to provide specular finish.

Baffle: One-piece spun aluminum finished matte black.

Ballast: Induction high frequency electronic ballast 120V or 200-277V.

Lamp: Induction electrodeless fluorescent 165 watt lamp with average rated life of 100,000 hours.

Mounting Pan: (Surface Mount) Cast aluminum with 3/4" inner collar, 16" dia. supplied with steel mounting strap to mount directly to outlet box. Supports pan with 4-1/4 x 20 threaded studs and nuts. Finished to match cylinder housing.

Canopy Set: (Pendant Mount) 0-45° hang straight with 3/4" x 12" long steel pipe standard length with P1 accessory. Finished to match housing.**

Wall Bracket Assembly: (Wall Mount) One-piece cast aluminum bracket / arm assembly with access plate for wire inspection. Cast aluminum, wall mounting plate with 1/4" thick neoprene gasket. Quick disconnect wiring harness. Esco's **EZ5 Mounting System** allows the contractor to install the fixture in 5 minutes or less. Finished same as housing. See finish note.

Finish: Detergent cleaned with iron phosphate and chromic acid rust inhibitor. Chip resistant powder urethane polyester coating, electrostatic applied and baked. Standard colors are textured black, textured bronze and white. Custom colors are available. Consult factory or sales representative.

Labels: Surface and pendant mount suitable for damp location; wall mount suitable for wet location. ETL, CETL and I.B.E. W. labeled.

Fixture Warranty: The mechanics are guaranteed to be free from defective material and workmanship, under normal installation and operating conditions, for ten years from date of shipment from the factory.

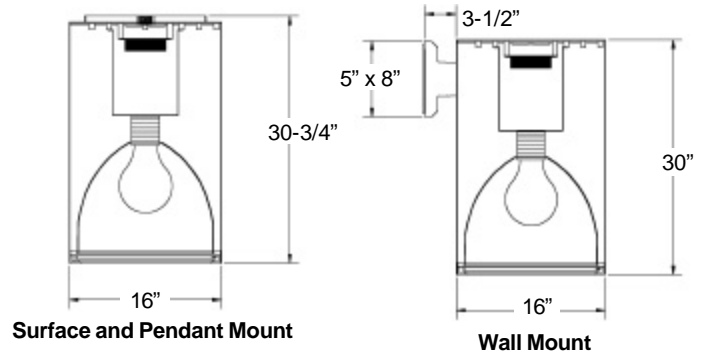
Photometric Information: Contact factory.

**Canopy set for indoor applications only; contact factory for other applications and designs.

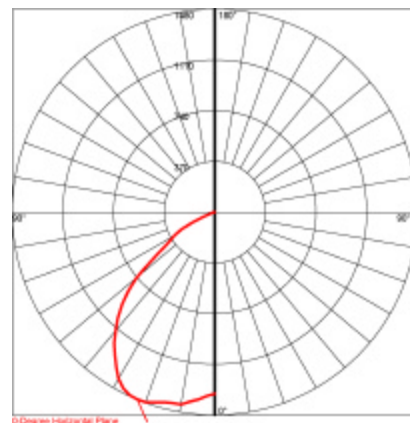
SPECIFICATIONS SUBJECT TO CHANGE WITHOUT NOTICE



Dimensions



Photometrics



3254 North Kilbourn Avenue Chicago, Illinois 60641-4505
 Phone: 773-427-7000 Fax: 800-217-1260 www.escolighting.com
A Woman-Owned Business
 Established 1975





HOW TO ORDER

Open Downlight	Surface Mount	Lamps	Color Temp	Mini-Groove Black Baffle	Surface Mount	Lamps	Color Temp
	SA70930	165w	3000k		SA71930	165w	3000k
	SA70940	165w	4000K		SA71940	165w	4000k

Voltage Suffix

- 1= 120V
- 4= 200V-277V

OPTIONS & ACCESSORIES

Wall Mount Prefix

Cast aluminum wall mount option. Change **S** in catalog number to **W**.



Fuse and Fuse Holder

Suffix Catalog Number With F



Pendant Mount Suffix

P1=12" long stem (standard)
 P2X= "X" is stem length other than 12".



Color Suffix

BZ= Textured Bronze, BL= Textured Black, W= Sky White.

EXAMPLE ORDER NUMBER: SA71930P124BL = 165 watt induction lamp and ballast , 3000k, with mini-groove black baffle and 24" stem, textured black.



3254 North Kilbourn Avenue Chicago, Illinois 60641-4505
 Phone: 773-427-7000 Fax: 800-217-1260 www.escolighting.com

A Woman-Owned Business
Established 1975

