



SPECIFICATIONS

Lamp Housing: Spun aluminum .090" thick. See finish note.

Photo Control and Slip Fitter Housing: Die cast aluminum. See finish note.

Reflector: Spun aluminum .040" thick, finished bright anodized. **Ballast:** Philips QL induction high frequency electronic ballast 120 thru 277 volt, 50 or 60 Hz. Contact factory for other voltages.

Lamp: Philips QL induction electrodeless fluorescent lamp average rated life 100,000 hours.

Door Frame: Spun aluminum .090" thick ring, gasketed to retain lens. Torsion spring lock-up with safety chain.

Lens: Prismatic acrylic (Type I, II, III, IV and V available) or heat resistant high impact borosilicate glass refractor (Type II, III and V available).

Photo Control: Twist lock 120V photo control. Automatically turns lamp on at dusk and off at dawn.

Mounting Arm: Extruded aluminum arm 1-5/8" O.D., 1-1/2" I.D., 21", 24" and 30" arm lengths optional. Two-piece interlocking mounting bracket included.

Finish: All painted parts are washed in alkaline solution, rinsed in an iron phosphate, baked dry, then painted with a TGIC polyester coating electrostatic applied and baked.

Labels: ETL / CETL listed for wet location, I.B.E.W. assembled and labeled.

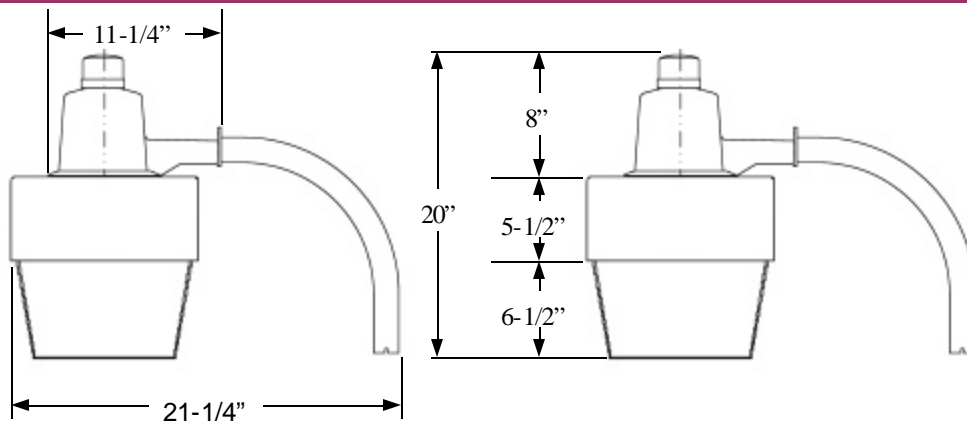
Fixture Warranty: The mechanics are guaranteed to be free from defective material and workmanship, under normal installation and operating conditions, for five years from date of shipment from the factory. All induction system components are warranted by the original manufacturer of the induction lighting system components, and subject to that manufacturer's warranty.

Photometric Information: Contact factory or www.escolighting.com



SPECIFICATIONS SUBJECT TO CHANGE WITHOUT NOTICE

DIMENSIONS



3254 North Kilbourn Avenue Chicago, Illinois 60641-4505
 Phone: 773-427-7000 Fax: 800-217-1260 www.escolighting.com


A Woman-Owned Business

Established 1975





HOW TO ORDER

Type I Prismatic Acrylic	Lamps	Color Temp	Type IV Prismatic Acrylic	Lamps	Color Temp	Type II Prismatic Borosilicate Glass	Lamps	Color Temp	Voltage Suffix	
PR01730	55w	3000k	PR04730	55w	3000k	PR22730	55w	3000k	1=120V	
PR01740	55w	4000K	PR04740	55w	4000K	PR22740	55w	4000K	2=208V	
PR01750	55w	5000K	PR04750	55w	5000K	PR22750	55w	5000K	3=240V	
PR01830	85w	3000k	PR04830	85w	3000k	PR22830	85w	3000k	4=277V	
PR01840	85w	4000K	PR04840	85w	4000K	PR22840	85w	4000K	Color Suffix	
PR01850	85w	5000K	PR04850	85w	5000K	PR22850	85w	5000K	BZ= Textured Bronze	
									BL= Textured Black	
									W= Sky White	
									Other= Consult Factory	
Type II Prismatic Acrylic	Lamps	Color Temp	Type V Prismatic Acrylic	Lamps	Color Temp	Type III Prismatic Borosilicate Glass	Lamps	Color Temp		
PR02730	55w	3000k	PR05730	55w	3000k	PR23730	55w	3000k		
PR02740	55w	4000K	PR05740	55w	4000K	PR23740	55w	4000K		
PR02750	55w	5000K	PR05750	55w	5000K	PR23750	55w	5000K		
PR02830	85w	3000k	PR05830	85w	3000k	PR23830	85w	3000k		
PR02840	85w	4000K	PR05840	85w	4000K	PR23840	85w	4000K		
PR02850	85w	5000K	PR05850	85w	5000K	PR23850	85w	5000K		
Type III Prismatic Acrylic	Lamps	Color Temp	 <p>Philips QL Induction Lamp and Ballast</p>			Type V Prismatic Borosilicate Glass	Lamps	Color Temp		
PR03730	55w	3000k				PR25730	55w	3000k		
PR03740	55w	4000K				PR25740	55w	4000K		
PR03750	55w	5000K				PR25750	55w	5000K		
PR03830	85w	3000k				PR25830	85w	3000k		
PR03840	85w	4000K				PR25840	85w	4000K		
PR03850	85w	5000K				PR25850	85w	5000K		

EXAMPLE: PR23830BL=Type III prismatic borosilicate glass lens, 85W QL lamp and ballast, 3000K, textured black.

ACCESSORIES

**Fuse and Fuse
Holder**
 Suffix Catalog
 Number With "F"



3254 North Kilbourn Avenue Chicago, Illinois 60641-4505
 Phone: 773-427-7000 Fax: 800-217-1260 www.escolighting.com

A Woman-Owned Business

Established 1975

