

Specifications

Mounting Frame: 20 gauge (.036") cold rolled steel (C.R.S.) or stainless steel #304B, die formed and welded construction with adjustable Uni-Lug levelers. For ceiling thickness of 1/2" minimum to 3/4" maximum. Painted Sky White. See Finish Note.

Reflector: Aluminum .032" fabricated into one piece construction finished high gloss white 90% reflectance polyester powder coating. See Finish Note. Combination extruded aluminum reflector top / socket heat sink.

Door Frame: 20 gauge (.036") C.R.S. or stainless steel #304B, gasketed with two captive, countersunk fasteners, concealed stainless steel hinging, painted Sky White. See Finish Note.

Ballast: Pre-wired C.W.A., H.P.F. core and coil with capacitor 120V, 208V, 240V or 277V.

Thermal Device: Automatic resetting heat sensitive device for non-IC installations. Protects fixture from overheating if insulation covers fixture.

Lamp: Clear, mogul base (by others). See ordering information.

Lamp Holder: Hi-heat porcelain, 4 K.V. rated, w/nickel plated copper screw shell, spring loaded center contact, lamp grips, SF-2 leads (200° C). Impregnated gasket.

Finish: All painted parts are washed in alkaline solution, rinsed in an iron phosphate, baked dry, then painted with a TGIC polyester powder coating electrostatic applied and baked.

Labels: U/L, CU/L listed, suitable for wet location under covered ceiling. I.B.E.W. labeled.

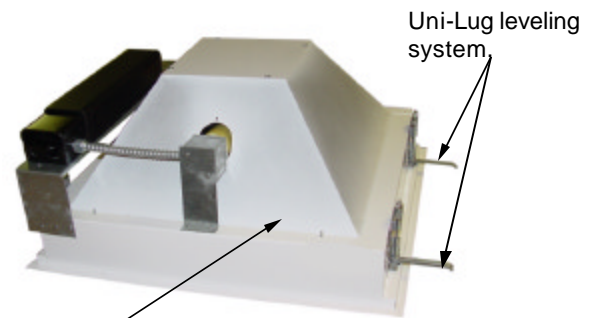
Photometric Information: Contact factory.

SPECIFICATIONS SUBJECT TO CHANGE WITHOUT NOTICE

Thermally protected ballast.

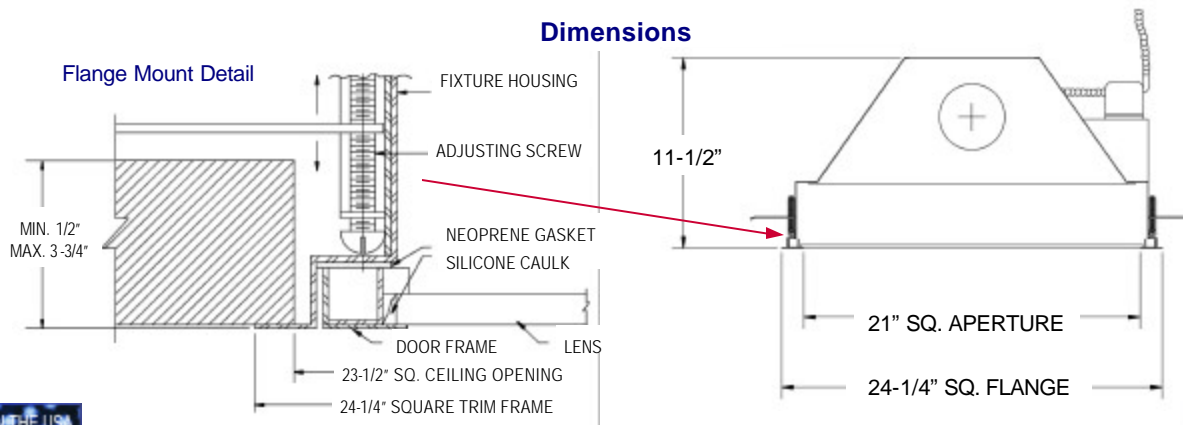


C73 prismatic tempered glass lens.



High gloss white reflector 90% reflective.

Dimensions



3254 North Kilbourn Avenue Chicago, Illinois 60641-4505
Phone: 773-427-7000 Fax: 800-217-1260 www.escolighting.com

A Woman-Owned Business
Established 1975



R10000 Series 2x2 flange mount with C73 prismatic tempered glass



Catalog Number	Watts	Light Source
R10015	150	HPS
R10017	250	HPS
R10018	400	HPS
R10026	175	MH
R10027	250	MH
R100225	250	MH/PS
R100232	320	MH/PS
R100235	350	MH/PS

C.R.S. door and frame for stainless steel change R to RS.

R10028	400	MH
R100240	400	MH/PS

R13000 Series 2x2 flange mount with polycarbonate drop lens and



Catalog Number	Watts	Light Source
R13015	150	HPS
R13017	250	HPS
R13018	400	HPS
R13026	175	MH
R13027	250	MH
R130225	250	MH/PS
R130232	320	MH/PS
R130235	350	MH/PS

C.R.S. door and frame for stainless steel change R to RS.

R13028	400	MH
R130240	400	MH/PS

R12000 Series 2x2 flange mount with acrylic drop lens and clear glass



Catalog Number	Watts	Light Source
R12015	150	HPS
R12017	250	HPS
R12018	400	HPS
R12026	175	MH
R12027	250	MH
R120225	250	MH/PS
R120232	320	MH/PS
R120235	350	MH/PS

C.R.S. door and frame for stainless steel change R to RS.

R12028	400	MH
R120240	400	MH/PS

R19000 Series 2x2 flange mount with Triumph 1 acrylic control lens



Catalog Number	Watts	Light Source
R19015	150	HPS
R19017	250	HPS
R19018	400	HPS
R19026	175	MH
R19027	250	MH
R190225	250	MH/PS
R190232	320	MH/PS
R190235	350	MH/PS

C.R.S. door and frame for stainless steel change R to RS.

R19028	400	MH
R190240	400	MH/PS

Options & Accessories



Tamper proof screw option
suffix catalog number with TP.



Wire guard option. Suffix
catalog number with WG21.



Fuse and Fuse Holder
Suffix Catalog
Number With "F"

Suffix
Catalog
Number
With

Quartz Re-strike Systems



E1A	Mini-can socket assembly for separate circuit entry with relay system for one lamp burning only.
E2	Emergency re-strike system, mini-can socket assembly (100—250 watt max. lamp).
E65	Emergency re-strike system, mini-can socket assembly (100—250 watt max. lamp) with time delay relay.



3254 North Kilbourn Avenue Chicago, Illinois 60641-4505
Phone: 773-427-7000 Fax: 800-217-1260 www.escolighting.com

A Woman-Owned Business
Established 1975

