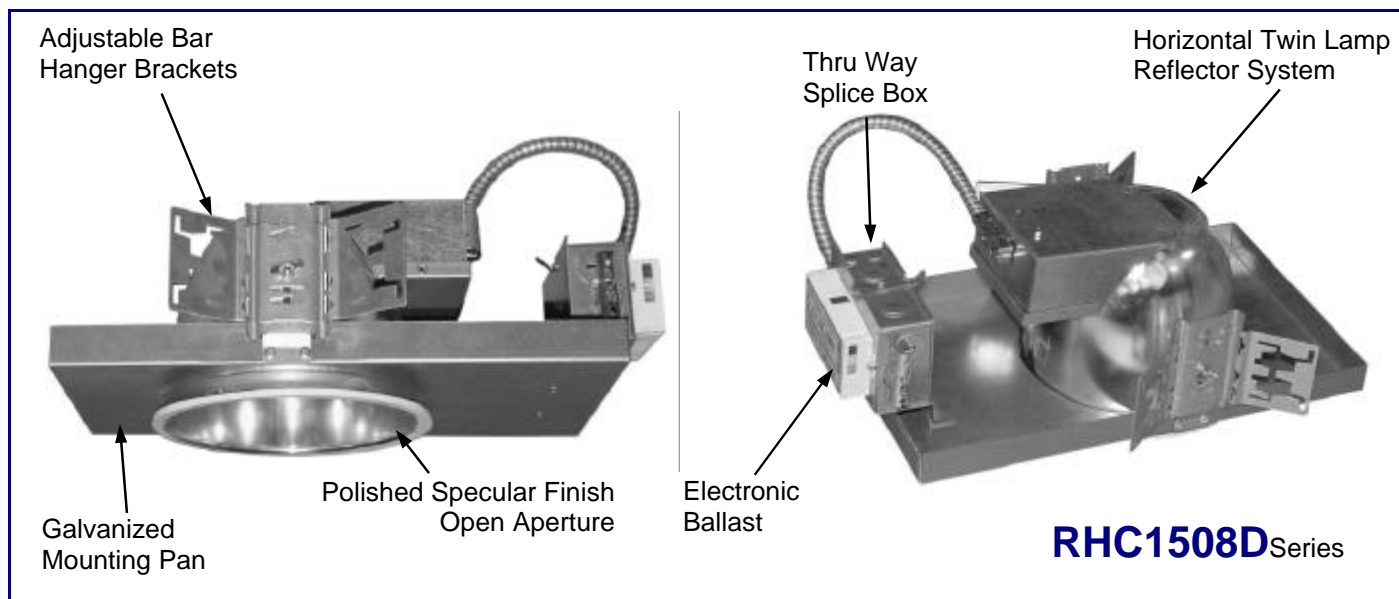




RHC1508D^{SERIES} 8" Diameter Recessed Architectural Downlight Horizontal Twin Lamp Compact Fluorescent



RHC1508DSeries

Specifications

Mounting Frame: 18 gauge (.048") galvanized steel die formed universal mounting frame fits most ceiling systems; minimum 1/2", maximum, 2" thick. Thru way splice box.

Reflector: Spun aluminum #3002, .050" thick specular finish. Consult factory for other finishes.

Ballast: Compact fluorescent electronic high power factor class P, universal voltage 120 thru 277 volt; 50/60 Hz.

Lamp: Compact fluorescent PL lamp max. (2) 26W, 4 pin base (by others).

Lamp Holder: (2) Horizontally mounted white thermo-plastic with snap-in lamp retainer springs. See table.

Photometric Information: Contact factory.

Labels: U/L, CU/L listed, suitable for wet location under covered ceiling. I.B.E.W. labeled.

SPECIFICATIONS SUBJECT TO CHANGE WITHOUT NOTICE

Ordering Information

RHC1508D Series 8" diameter recessed open downlight.



Catalog Number	Watts	Lamp Base
RHC1508D1	2-13	G24q-1
RHC1508D2	2-18	G24q-2
RHC1508D3	2-26	G24q-3

RHC1518D Series 8" diameter open downlight with mini-groove black baffle.



Catalog Number	Watts	Lamp Base
RHC1518D1	2-13	G24q-1
RHC1518D2	2-18	G24q-2
RHC1518D3	2-26	G24q-3

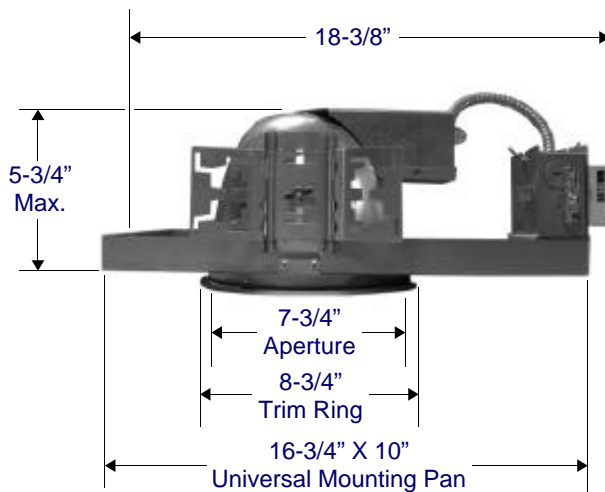




RHC1508D^{SERIES} 8" Diameter Recessed Architectural Downlight Horizontal Twin Lamp Compact Fluorescent

Dimensions

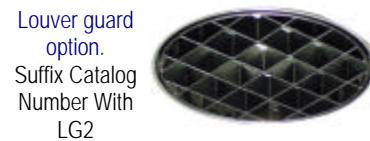
RHC1508D Series
 8" Diameter Twin Horizontal Lamp
 (2) PL13W, 18W, or 26W



RHC1508D Series Recessed Architectural Downlight Options & Accessories



Fuse and Fuse Holder
 Suffix Catalog
 Number With "F"



Louver guard
 option.
 Suffix Catalog
 Number With
 LG2

Option	Suffix catalog number with
Dimming Ballast	DM
Emergency Ballast	EM



Slope Adapter
 Option
 Suffix Catalog
 Number With

SA110	10 Degree Slope
SA120	20 Degree Slope
SA130	30 Degree Slope

