

Specifications

Mounting Pan: 20 gauge (.036") galvanized steel die formed, universal mounting pan. Fits between studs on 16" centers and most ceiling systems up to 1 3/4" thick.

Reflector: 22 gauge (.029") C.R.S. die formed construction. Computer designed and finished high gloss white 90% reflectance polyester powder coating.

Reflector Top: Extruded aluminum, supports lamp and socket, dissipates heat for extended lamp life.

Trim Frame: 20 gauge (.036") C.R.S. one piece construction, gasketed with torsion spring lock-up. Finished matte white.

Ballast: Pre-wired, CWA HPF, core and coil with dry film capacitor and starter if required.

Thermal Device: Automatic resetting heat sensitive device for non-IC installations. Protects fixture from overheating if insulation covers fixture.

Lamp: Clear, medium base (by others). See ordering information.

Lamp Holder: Hi-heat porcelain, 4 K.V. rated, w/ nickel plated copper screw shell, spring loaded center contact, lamp grips, SF-2 leads (200° C). Impregnated gasket.

Finish: All painted parts are washed in alkaline solution, rinsed in an iron phosphate, baked dry, then painted with a TGIC polyester powder coating electrostatic applied and baked.

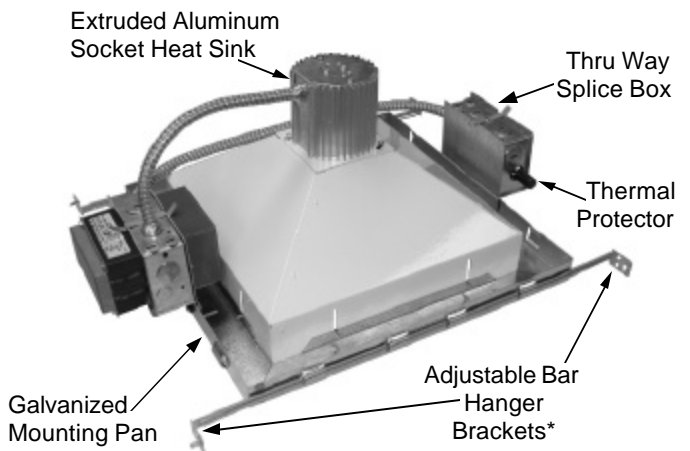
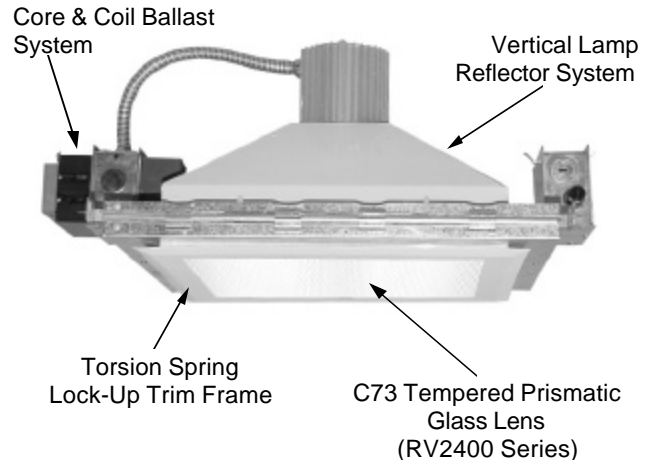
Labels: ETL, CETL listed suitable for wet location under covered ceiling. I.B.E.W. labeled.

Fixture Warranty The fixture mechanics are guaranteed to be free from defective material and workmanship, under normal installation and operating conditions, for five years from date of shipment from the factory. See General Terms and Conditions.

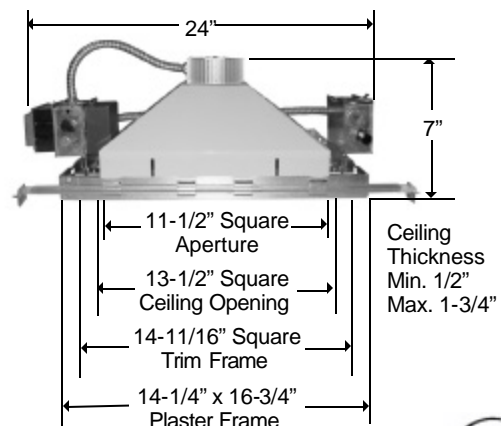
Photometric Information: Contact factory.

* Standard bar hanger brackets included with fixture. Other bar hanger brackets and bars available. Contact factory.

SPECIFICATIONS SUBJECT TO CHANGE WITHOUT NOTICE



DIMENSIONS



3254 North Kilbourn Avenue Chicago, Illinois 60641-4505
 Phone: 773-427-7000 Fax: 800-217-1260 www.escolighting.com

A Woman-Owned Business
Established 1975



Ordering Information

½ x ½ INCH LOUVER WITH C73 PRISMATIC TEMPERED GLASS LENS.

Catalog Number	Light Source	Wattage
RV2112	HPS	50
RV2113	HPS	70
RV2114	HPS	100
RV2115	HPS	150
RV2122	MH	50
RV2123	MH	70
RV2124	MH	100
RV2125	MH	150
RV2126	MH	175

REGRESSED C73 PRISMATIC TEMPERED GLASS LENS.

Catalog Number	Light Source	Wattage
RV2212	HPS	50
RV2213	HPS	70
RV2214	HPS	100
RV2215	HPS	150
RV2222	MH	50
RV2223	MH	70
RV2224*	MH	100
RV2225	MH	150
RV2226*	MH	175
RV22217	MH Pulse Start	175

***QUICK SHIP PRODUCT**

C73 PRISMATIC TEMPERED GLASS LENS.

Catalog Number	Light Source	Wattage
RV2412	HPS	50
RV2413	HPS	70
RV2414	HPS	100
RV2415	HPS	150
RV2422	MH	50
RV2423	MH	70
RV2424*	MH	100
RV2425	MH	150
RV2426*	MH	175
RV24217	MH Pulse Start	175

***QUICK SHIP PRODUCT**

FLAT FRESNEL GLASS LENS.

Catalog Number	Light Source	Wattage
RV2512	HPS	50
RV2513	HPS	70
RV2514	HPS	100
RV2515	HPS	150
RV2522	MH	50
RV2523	MH	70
RV2524	MH	100
RV2525	MH	150
RV2526	MH	175
RV25217	MH Pulse Start	175

DROP PRISMATIC HOLOPHANE FRESNEL GLASS LENS.

Catalog Number	Light Source	Wattage
RV2712	HPS	50
RV2713	HPS	70
RV2714	HPS	100
RV2715	HPS	150
RV2722	MH	50
RV2723	MH	70
RV2724	MH	100
RV2725	MH	150
RV2726	MH	175
RV27217	MH Pulse Start	175

DROP PRISMATIC ACRYLIC LENS.

Catalog Number	Light Source	Wattage
RV2812	HPS	50
RV2813	HPS	70
RV2814	HPS	100
RV2815	HPS	150
RV2822	MH	50
RV2823	MH	70
RV2824	MH	100
RV2825	MH	150
RV2826	MH	175
RV28217	MH Pulse Start	175

DROP PRISMATIC POLYCARBONATE LENS.

Catalog Number	Light Source	Wattage
RV2912	HPS	50
RV2913	HPS	70
RV2914	HPS	100
RV2915	HPS	150
RV2922	MH	50
RV2923	MH	70
RV2924	MH	100
RV2925	MH	150
RV2926	MH	175
RV29217	MH Pulse Start	175

EXAMPLE: RSV2712= stainless steel trim frame, drop prismatic holophane fresnel glass lens,50 watt high pressure sodium lamp.

Options & Accessories



Stainless steel trim frame option. Prefix catalog number with RSV.



Wire guard option. Suffix catalog number with WG01.



Suffix Cat. No. With	Quartz Re-strike Systems
E1A	MINI-CAN SOCKET ASSEMBLY FOR SEPARATE CIRCUIT ENTRY WITH RELAY SYSTEM FOR ONE LAMP BURNING ONLY.
E2	EMERGENCY RE-STRIKE SYSTEM, MINI-CAN SOCKET ASSEMBLY
E65	EMERGENCY RE-STRIKE SYSTEM, MINI-CAN SOCKET ASSEMBLY (100-150 WATT MAX LAMP) TIME DELAY RELAY.