

### Specifications

**Mounting Frame:** 18 gauge (.048") galvanized steel die formed universal mounting frame fits most ceiling systems; minimum 1/2", maximum, 2" thick. Thru way splice box.

**Reflector:** Spun aluminum #3002, .050" thick specular finish. Consult factory for other finishes.

**Ballast:** Compact fluorescent electronic high power factor class P, universal voltage 120 thru 277 volt; 50/60 Hz.

**Reflector Top:** Extruded aluminum, supports socket. Dissipates heat from lamp and socket.

**Lamp:** Compact fluorescent PLT lamp max. 42W, 4 pin base (by others).

**Lamp Holder:** Vertically mounted white thermoplastic with snap-in lamp retainer springs. See table.

**Photometric Information:** Contact factory.

**Labels:** U/L, CU/L listed, suitable for wet location under covered ceiling. I.B.E.W. labeled.

*SPECIFICATIONS SUBJECT TO CHANGE WITHOUT NOTICE*

### Ordering Information

RC1508T Series 8" diameter recessed open downlight.



Catalog Number	Watts	Lamp Base
<b>RC1508T3*</b>	26	GX24q-3
<b>RC1508T4*</b>	32	GX24q-3
<b>RC1508T5*</b>	42	GX24q-4

**\*QUICK SHIP PRODUCT**

RC1518T Series 8" diameter open downlight with mini-groove black baffle.



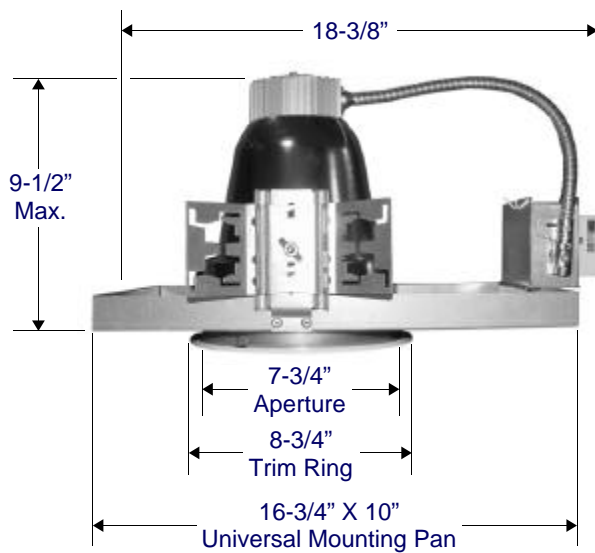
Catalog Number	Watts	Lamp Base
<b>RC1518T3*</b>	26	GX24q-3
<b>RC1518T4*</b>	32	GX24q-3
<b>RC1518T5*</b>	42	GX24q-4

**\*QUICK SHIP PRODUCT**

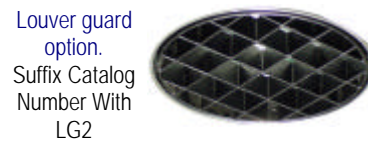


Dimensions

RC1508T Series  
8" Diameter Single Vertical Lamp  
PLT26W, 32W, or 42W



*RC1508T Series Recessed Architectural Downlight Options & Accessories*



Option	Suffix catalog number with
Dimming Ballast	DM
Emergency Ballast	EM

Slope Adapter Option

Suffix Catalog Number With



SA110	10 Degree Slope
SA120	20 Degree Slope
SA130	30 Degree Slope