



SPECIFICATIONS

Housing 16 gauge (.050") aluminum dieformed and welded construction, painted Sky White. See Finish Note.

Reflector One piece spun aluminum compound arc finished high gloss white 90% reflectance.

Door Frame 20 gauge (.036") C.R.S. gasketed with eight captive, countersunk fasteners, two safety wires attached to door, painted Sky White. See Finish Note.

Ballast Induction high frequency electronic ballast. 120V-277V, 50-60Hz.

Lamp Induction electrodeless fluorescent lamp with average rated life 100,000 hour. CRI>80. Available 2700k to 5000k.

Finish All painted parts are washed in alkaline solution, rinsed in an iron phosphate, baked dry, then painted with a TGIC polyester powder coating electrostatic applied and baked.

Labels ETL, CETL listed suitable for damp location. I.B.E.W. labeled. For wet location label, contact factory.

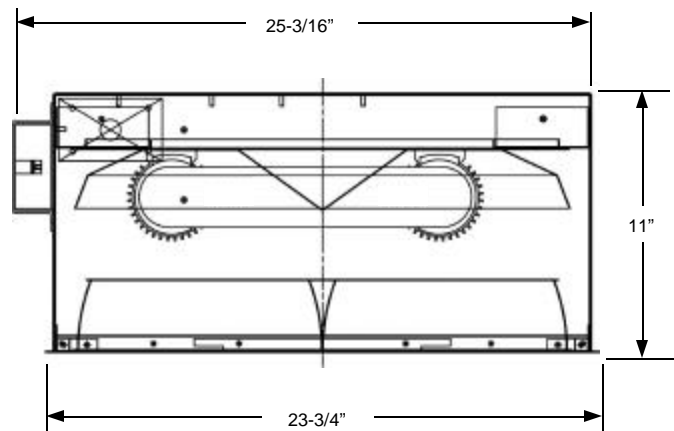
Warranty The mechanics are guaranteed to be free from defective material and workmanship, under normal installation and operating conditions, for five years from date of shipment from the factory. See general terms and conditions.

Photometric Information Contact factory or visit www.escolighting.com.

SPECIFICATIONS SUBJECT TO CHANGE WITHOUT NOTICE



DIMENSIONS



WBE City of Chicago Certified

3254 North Kilbourn Avenue Chicago, Illinois 60641-4505
 Phone: 773-427-7000 Fax: 800-217-1260 www.escolighting.com
Established 1975





HOW TO ORDER

C73 Prismatic Tempered Glass



Catalog Number	Lamps	Color Temp	Initial Lumens	Voltage
RiUC10B27	150W	2700k	12,000	120-277
RiUC10B40	150W	4000k	12,000	120-277
RiUC10B50	150W	5000k	12,000	120-277
RiUC10C27	200W	2700k	16,500	120-277
RiUC10C40	200W	4000k	16,500	120-277
RiUC10C50	200W	5000k	16,500	120-277
RiUC10D27	250W	2700k	20,500	120-277
RiUC10D40	250W	4000k	20,500	120-277
RiUC10D50	250W	5000k	20,500	120-277
RiUC10E27	300W	2700k	24,500	277
RiUC10E40	300W	4000k	24,500	277
RiUC10E50	300W	5000k	24,500	277

Regressed C73 Prismatic Tempered Glass



Catalog Number	Lamps	Color Temp	Initial Lumens	Voltage
RiUC11B27	150W	2700k	12,000	120-277
RiUC11B40	150W	4000k	12,000	120-277
RiUC11B50	150W	5000k	12,000	120-277
RiUC11C27	200W	2700k	16,500	120-277
RiUC11C40	200W	4000k	16,500	120-277
RiUC11C50	200W	5000k	16,500	120-277
RiUC11D27	250W	2700k	20,500	120-277
RiUC11D40	250W	4000k	20,500	120-277
RiUC11D50	250W	5000k	20,500	120-277
RiUC11E27	300W	2700k	24,500	277
RiUC11E40	300W	4000k	24,500	277
RiUC11E50	300W	5000k	24,500	277

Acrylic Prismatic Drop Lens



Catalog Number	Lamps	Color Temp	Initial Lumens	Voltage
RiUC12B27	150W	2700k	12,000	120-277
RiUC12B40	150W	4000k	12,000	120-277
RiUC12B50	150W	5000k	12,000	120-277
RiUC12C27	200W	2700k	16,500	120-277
RiUC12C40	200W	4000k	16,500	120-277
RiUC12C50	200W	5000k	16,500	120-277
RiUC12D27	250W	2700k	20,500	120-277
RiUC12D40	250W	4000k	20,500	120-277
RiUC12D50	250W	5000k	20,500	120-277
RiUC12E27	300W	2700k	24,500	277
RiUC12E40	300W	4000k	24,500	277
RiUC12E50	300W	5000k	24,500	277

16 Cell Parabolic Louver with C73 Prismatic Glass lens.



Catalog Number	Lamps	Color Temp	Initial Lumens	Voltage
RiUC14B27	150W	2700k	12,000	120-277
RiUC14B40	150W	4000k	12,000	120-277
RiUC14B50	150W	5000k	12,000	120-277
RiUC14C27	200W	2700k	16,500	120-277
RiUC14C40	200W	4000k	16,500	120-277
RiUC14C50	200W	5000k	16,500	120-277
RiUC14D27	250W	2700k	20,500	120-277
RiUC14D40	250W	4000k	20,500	120-277
RiUC14D50	250W	5000k	20,500	120-277
RiUC14E27	300W	2700k	24,500	277
RiUC14E40	300W	4000k	24,500	277
RiUC14E50	300W	5000k	24,500	277

9 Cell Parabolic Louver with C73 Prismatic Glass lens



Catalog Number	Lamps	Color Temp	Initial Lumens	Voltage
RiUC16B27	150W	2700k	12,000	120-277
RiUC16B40	150W	4000k	12,000	120-277
RiUC16B50	150W	5000k	12,000	120-277
RiUC16C27	200W	2700k	16,500	120-277
RiUC16C40	200W	4000k	16,500	120-277
RiUC16C50	200W	5000k	16,500	120-277
RiUC16D27	250W	2700k	20,500	120-277
RiUC16D40	250W	4000k	20,500	120-277
RiUC16D50	250W	5000k	20,500	120-277
RiUC16E27	300W	2700k	24,500	277
RiUC16E40	300W	4000k	24,500	277
RiUC16E50	300W	5000k	24,500	277

4 Cell Parabolic Louver with C73



Catalog Number	Lamps	Color Temp	Initial Lumens	Voltage
RiUC17B27	150W	2700k	12,000	120-277
RiUC17B40	150W	4000k	12,000	120-277
RiUC17B50	150W	5000k	12,000	120-277
RiUC17C27	200W	2700k	16,500	120-277
RiUC17C40	200W	4000k	16,500	120-277
RiUC17C50	200W	5000k	16,500	120-277
RiUC17D27	250W	2700k	20,500	120-277
RiUC17D40	250W	4000k	20,500	120-277
RiUC17D50	250W	5000k	20,500	120-277
RiUC17E27	300W	2700k	24,500	277
RiUC17E40	300W	4000k	24,500	277
RiUC17E50	300W	5000k	24,500	277

EXAMPLE ORDER: RiUC12C40WG01= 200 Watt lamp, 4000k color temperature, Acrylic prismatic drop lens with optional wire guard.

OPTIONS AND ACCESSORIES



Stainless steel trim frame option. Prefix catalog number with **RSV**



Wire guard option. Suffix catalog number with **WG01**



Tamper proof screw option suffix catalog number with **TP**



WBE City of Chicago Certified

3254 North Kilbourn Avenue Chicago, Illinois 60641-4505
Phone: 773-427-7000 Fax: 800-217-1260 www.escolighting.com
Established 1975

