

SPECIFICATIONS

Reflector / Mounting Pan: 20 gauge (.036") C.R.S. Computer designed and finished high gloss white 90% reflectance polyester powder coating. See Finish Note.

Door Frame: 20 gauge (.036") C.R.S. gasketed with two captive, countersunk fasteners, concealed stainless steel hinging, painted Sky White. See Finish Note.

Ballast: H.I.D.: Pre-wired, CWA or HPF, core and coil with dry film capacitor and starter if required.

Thermal Device: Automatic resetting heat sensitive device for non-IC installations. Protects fixture from overheating if insulation covers fixture.

Lamp: H.I.D.: Clear, mogul base (by others).

Lamp Holder: H.I.D. Hi-heat porcelain, 4 K. V. rated, w/nickel plated copper screw shell, spring loaded center contact, lamp grips, SF-2 leads (200° C). Impregnated gasket.

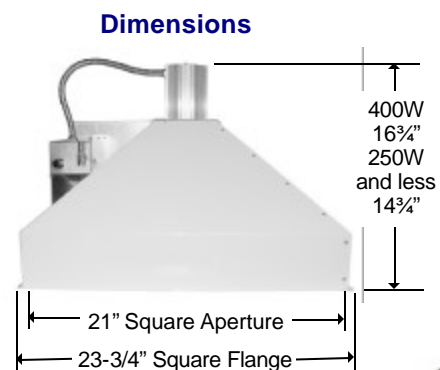
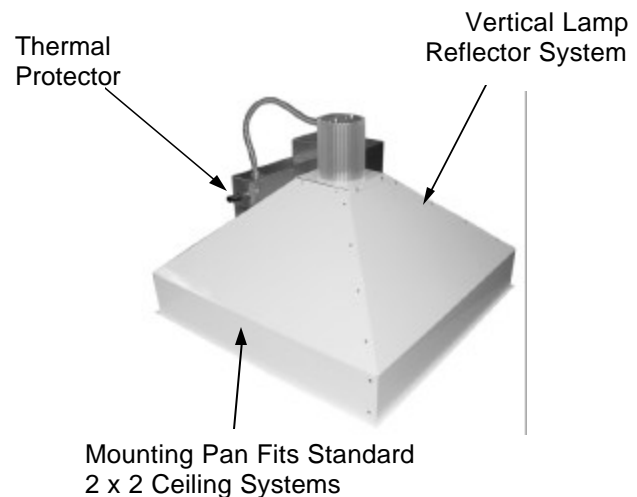
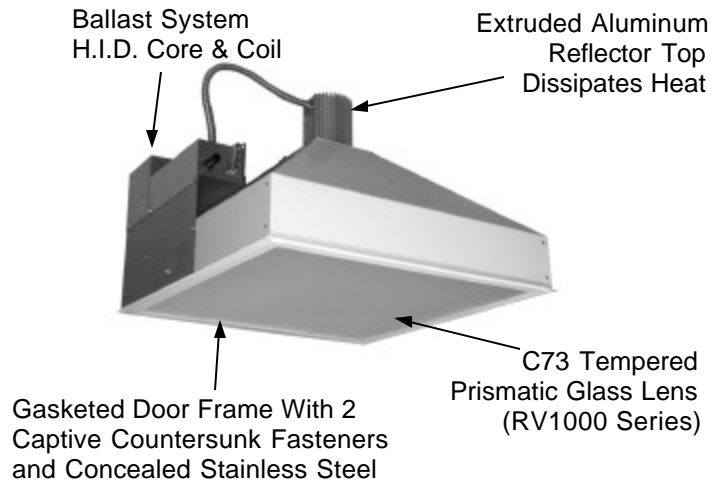
Finish: All painted parts are washed in alkaline solution, rinsed in an iron phosphate, baked dry, then painted with a TGIC polyester powder coating electrostatic applied and baked.

Labels: ETL, CETL listed, suitable for wet location under covered ceiling. I.B.E.W. labeled.

Fixture Warranty The fixture mechanics are guaranteed to be free from defective material and workmanship, under normal installation and operating conditions, for five years from date of shipment from the factory. See General Terms and Conditions.

Photometric Information: Contact factory.

SPECIFICATIONS SUBJECT TO CHANGE WITHOUT NOTICE



3254 North Kilbourn Avenue Chicago, Illinois 60641-4505
 Phone: 773-427-7000 Fax: 800-217-1260 www.escolighting.com

A Woman-Owned Business
 Established 1975



Ordering Information

2x2 lay-in with C73 prismatic tempered glass lens.



***QUICK SHIP PRODUCT**

Catalog Number	Watts	Light Source
RV1015	150	HPS
RV1017	250	HPS
RV1018	400	HPS
RV1026*	175	MH
RV10217	175	MH/PS
RV1027*	250	MH
RV10225	250	MH/PS
RV10232	320	MH/PS
RV10235	350	MH/PS
RV1028*	400	MH
RV10240	400	MH/PS

2x2 lay-in with regressed C73 prismatic tempered glass lens.



***QUICK SHIP PRODUCT**

Catalog Number	Watts	Light Source
RV1115	150	HPS
RV1117	250	HPS
RV1118	400	HPS
RV1126*	175	MH
RV11217	175	MH/PS
RV1127*	250	MH
RV11225	250	MH/PS
RV11232	320	MH/PS
RV11235	350	MH/PS
RV1128*	400	MH
RV11240	400	MH/PS

2x2 lay-in with acrylic prismatic drop lens.



***QUICK SHIP PRODUCT**

Catalog Number	Watts	Light Source
RV1215	150	HPS
RV1217	250	HPS
RV1218	400	HPS
RV1226*	175	MH
RV12217	175	MH/PS
RV1227*	250	MH
RV12225	250	MH/PS
RV12232	320	MH/PS
RV12235	350	MH/PS
RV1228*	400	MH
RV12240	400	MH/PS

2x2 lay-in with polycarbonate prismatic drop lens.



***QUICK SHIP PRODUCT**

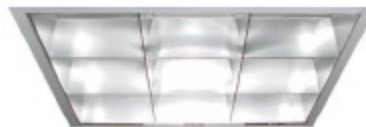
Catalog Number	Watts	Light Source
RV1315	150	HPS
RV1317	250	HPS
RV1318	400	HPS
RV1326*	175	MH
RV13217	175	MH/PS
RV1327*	250	MH
RV13225	250	MH/PS
RV13232	320	MH/PS
RV13235	350	MH/PS
RV1328*	400	MH
RV13240	400	MH/PS

2x2 lay-in with C73 prismatic tempered glass lens and 16 cell parabolic louver.



Catalog Number	Watts	Light Source
RV1415	150	HPS
RV1417	250	HPS
RV1418	400	HPS
RV1426	175	MH
RV14217	175	MH/PS
RV1427	250	MH
RV14225	250	MH/PS
RV14232	320	MH/PS
RV14235	350	MH/PS
RV1428	400	MH
RV14240	400	MH/PS

2x2 lay-in with C73 prismatic tempered glass lens and 9 cell parabolic louver.



Catalog Number	Watts	Light Source
RV1615	150	HPS
RV1617	250	HPS
RV1618	400	HPS
RV1626	175	MH
RV16217	175	MH/PS
RV1627	250	MH
RV16225	250	MH/PS
RV16232	320	MH/PS
RV16235	350	MH/PS
RV1628	400	MH
RV16240	400	MH/PS

2x2 lay-in with acrylic Triumph 1 control lens.

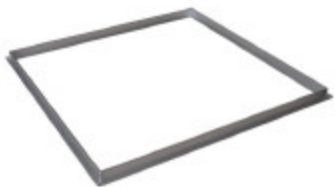


Catalog Number	Watts	Light Source
RV1915	150	HPS
RV1917	250	HPS
RV1918	400	HPS
RV1926	175	MH
RV19217	175	MH/PS
RV1927	250	MH
RV19225	250	MH/PS
RV19232	320	MH/PS
RV19235	350	MH/PS
RV1928	400	MH
RV19240	400	MH/PS

Options & Accessories



Fuse and Fuse Holder Suffix Catalog Number With "F"



Aluminum plaster frame simulates "Tee Bar" ceiling finished matte white. Suffix catalog number with T24W.

Suffix Catalog Number With

Quartz Re-strike Systems



E1A	MINI-CAN SOCKET ASSEMBLY FOR SEPARATE CIRCUIT ENTRY WITH RELAY SYSTEM FOR ONE LAMP BURNING ONLY.
E2	EMERGENCY RE-STRIKE SYSTEM, MINI-CAN SOCKET ASSEMBLY (100-250 WATT MAX LAMP) .
E65	EMERGENCY RE-STRIKE SYSTEM , MINI-CAN SOCKET ASSEMBLY (100-250 WATT MAX LAMP) TIME DELAY RELAY.
E1D	RELAY FOR INCANDESCENT DIMMING SYSTEM MAX. 250W QUARTZ LAMP , MINI-CAN SOCKET ASSEMBLY



Tamper proof screw option suffix catalog number with TP.



Wire guard option. Suffix catalog number with WG21.