



SPECIFICATIONS

Housing: Die formed .063" aluminum construction. Seam welded, seals housing from contamination. Mounting collar provided on surface mount for easy fixture installation (see detail). See finish note.

Reflector: .032" Aluminum. Specular aluminum (95% reflectance) Alanod mirror material.

Door Frame: One piece die formed .63" aluminum with (6) captive fasteners and two stainless steel safety wires. See Finish Note.

Trunion Mount Option: 14 GA. (.074") Galvanized steel. 180° Pivot and lock into position. See finish note.

Lens: Prismatic C73 tempered glass, clear tempered glass. All lenses silicone caulked into door frame.

Ballast: Philips QL induction high frequency electronic ballast. 165W Operating in a range of 200 to 277 volts, 55W and 85W 120 volt, 50 or 60 Hz. Contact factory for other voltages.

Lamp: Philips QL induction electrodeless fluorescent lamp with average rated life 100,000 hours.

Finish: Detergent cleaned with iron phosphate and chromic acid rust inhibitor. Chip resistant TGIC powder urethane polyester coating, electrostatic applied and baked. Standard color textured bronze, black or sky white. Other colors available.

Labels: ETL / CETL listed, suitable for wet location, I.B.E.W. assembled and labeled.

Fixture Warranty: The mechanics are guaranteed to be free from defective material and workmanship, under normal installation and operating conditions, for five years from date of shipment from the factory. All induction system components are warranted by the original manufacturer of the induction lighting system components, and subject to that manufacturer's warranty.

Photometric Information: Contact factory or visit www.escolighting.com.

Clear tempered glass lens,
Shown with trunion mount option.



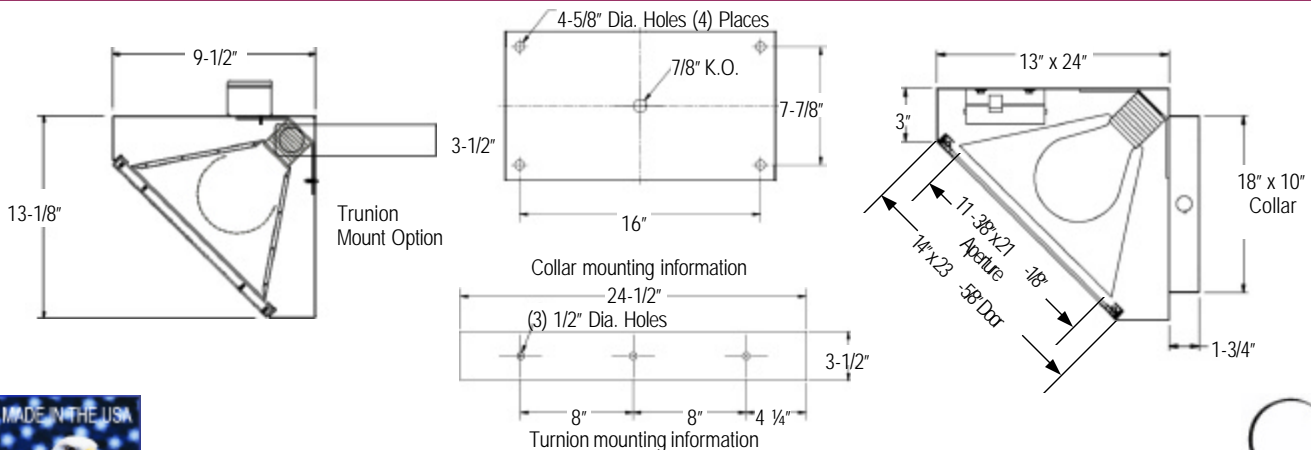
Prismatic C73 tempered glass lens,
Shown with collar mount option.



SPECIFICATIONS SUBJECT TO CHANGE WITHOUT NOTICE

QUICTRONIC is a registered trademark of OSRAM GmbH, used under license.
SYLVANIA is a registered trademark of OSRAM SYLVANIA, Inc.

DIMENSIONS



3254 North Kilbourn Avenue Chicago, Illinois 60641-4505
Phone: 773-427-7000 Fax: 800-217-1260 www.escolighting.com

A Woman-Owned Business

Established 1975





HOW TO ORDER

Wall or ceiling mount	Lens	Lamp	Color Temp	Trunion mount	Lens	Lamp	Color Temp
SCRS0730	Clear Tempered glass lens	QL/55W	3000K	SCRT0730	Clear Tempered glass lens	QL/55W	3000K
SCRS1730	Tempered prismatic #73 lens	QL/55W	3000K	SCRT1730	Tempered prismatic #73 lens	QL/55W	3000K
SCRS0830	Clear Tempered glass lens	QL/85W	3000K	SCRT0830	Clear Tempered glass lens	QL/85W	3000K
SCRS1830	Tempered prismatic #73 lens	QL/85W	3000K	SCRT1830	Tempered prismatic #73 lens	QL/85W	3000K
SCRS0930	Clear Tempered glass lens	QL/165W	3000K	SCRT0930	Clear Tempered glass lens	QL/165W	3000K
SCRS1930	Tempered prismatic #73 lens	QL/165W	3000K	SCRT1930	Tempered prismatic #73 lens	QL/165W	3000K
SCRS0740	Clear Tempered glass lens	QL/55W	4000K	SCRT0740	Clear Tempered glass lens	QL/55W	4000K
SCRS1740	Tempered prismatic #73 lens	QL/55W	4000K	SCRT1740	Tempered prismatic #73 lens	QL/55W	4000K
SCRS0840	Clear Tempered glass lens	QL/85W	4000K	SCRT0840	Clear Tempered glass lens	QL/85W	4000K
SCRS1840	Tempered prismatic #73 lens	QL/85W	4000K	SCRT1840	Tempered prismatic #73 lens	QL/85W	4000K
SCRS0940	Clear Tempered glass lens	QL/165W	4000K	SCRT0940	Clear Tempered glass lens	QL/165W	4000K
SCRS1940	Tempered prismatic #73 lens	QL/165W	4000K	SCRT1940	Tempered prismatic #73 lens	QL/165W	4000K
SCRS0750	Clear Tempered glass lens	QL/55W	5000K	SCRT0750	Clear Tempered glass lens	QL/55W	5000K
SCRS1750	Tempered prismatic #73 lens	QL/55W	5000K	SCRT1750	Tempered prismatic #73 lens	QL/55W	5000K
SCRS0850	Clear Tempered glass lens	QL/85W	5000K	SCRT0850	Clear Tempered glass lens	QL/85W	5000K
SCRS1850	Tempered prismatic #73 lens	QL/85W	5000K	SCRT1850	Tempered prismatic #73 lens	QL/85W	5000K
SCRS0950	Clear Tempered glass lens	QL/165W	5000K	SCRT0950	Clear Tempered glass lens	QL/165W	5000K
SCRS1950	Tempered prismatic #73 lens	QL/165W	5000K	SCRT1950	Tempered prismatic #73 lens	QL/165W	5000K

EXAMPLE: SCRT0850BL=QL 85W lamp , Trunion mount, clear glass lens, 5000K, textured black.



3254 North Kilbourn Avenue Chicago, Illinois 60641-4505
 Phone: 773-427-7000 Fax: 800-217-1260 www.escolighting.com

A Woman-Owned Business

Established 1975

