



SPECIFICATIONS

Housing: Die formed .063" aluminum construction. Seam welded, seals housing from contamination. Mounting collar provided on surface mount for easy fixture installation (see detail). See finish note.

Reflector: .032" Aluminum. Specular aluminum (95% reflectance) Alanod mirror material.

Door Frame: One piece die formed .63" aluminum with (6) captive fasteners and two stainless steel safety wires. See Finish Note.

Trunion Mount Option: 14 GA. (.074") Galvanized steel. 180° Pivot and lock into position. See finish note.

Lens: Prismatic C73 tempered glass, clear tempered glass. All lenses silicone caulked into door frame.

Ballast: Fulham induction electronic ballast 50/60Hz, 120-277V.

Lamp: Fulham High Horse induction electrodeless fluorescent lamp with average rated life 100,000 hours.

Finish: Detergent cleaned with iron phosphate and chromic acid rust inhibitor. Chip resistant TGIC powder urethane polyester coating, electrostatic applied and baked. Standard color textured bronze, black or sky white. Other colors available.

Labels: ETL / CETL listed, suitable for wet location, I.B.E.W. assembled and labeled.

Fixture Warranty: The mechanics are guaranteed to be free from defective material and workmanship, under normal installation and operating conditions, for five years from date of shipment from the factory. All induction system components are warranted by the original manufacturer of the induction lighting system components, and subject to that manufacturer's warranty.

Photometric Information: Contact factory or visit www.escolighting.com.

Clear tempered glass lens,
Shown with trunion mount option.

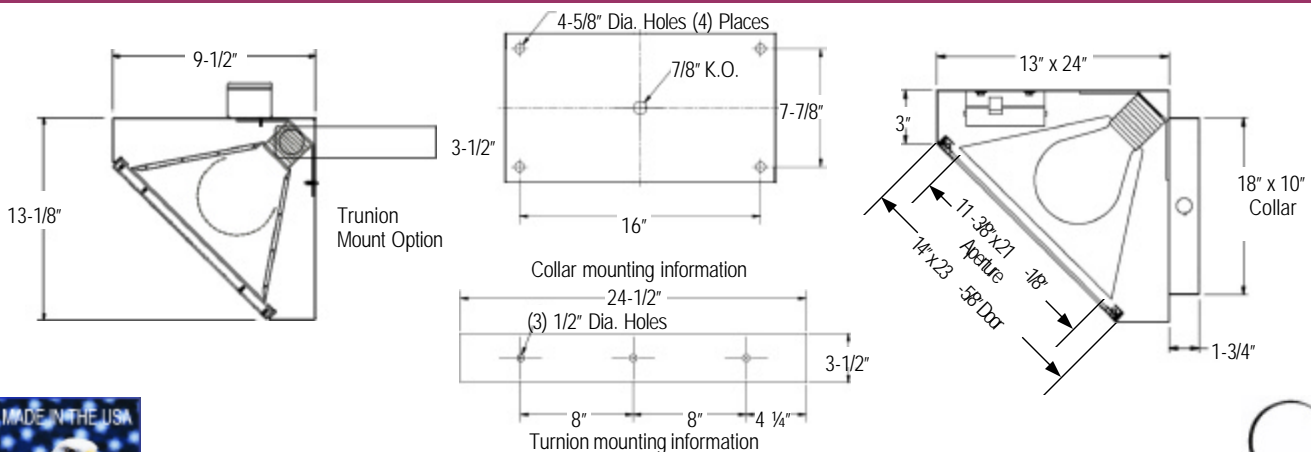


Prismatic C73 tempered glass lens,
Shown with collar mount option.



SPECIFICATIONS SUBJECT TO CHANGE WITHOUT NOTICE

DIMENSIONS



3254 North Kilbourn Avenue Chicago, Illinois 60641-4505
 Phone: 773-427-7000 Fax: 800-217-1260 www.escolighting.com

A Woman-Owned Business

Established 1975





HOW TO ORDER

Wall or ceiling mount	Lens	Lamp	Ballast	Color Temp
SCRFS0450	Clear Tempered glass lens	ICE/100W	ICE/100W	5000K
SCRFS1450	Tempered prismatic #73 lens	ICE/100W	ICE/100W	5000K
SCRFS0550	Clear Tempered glass lens	ICE/100W	ICE/150W	5000K
SCRFS1550	Tempered prismatic #73 lens	ICE/100W	ICE/150W	5000K
SCRFS0650	Clear Tempered glass lens	ICE/150W	ICE/150W	5000K
SCRFS1650	Tempered prismatic #73 lens	ICE/150W	ICE/150W	5000K

Trunion mount	Lens	Lamp	Ballast	Color Temp
SCRFT0450	Clear Tempered glass lens	ICE/100W	ICE/100W	5000K
SCRFT1450	Tempered prismatic #73 lens	ICE/100W	ICE/100W	5000K
SCRFT0550	Clear Tempered glass lens	ICE/100W	ICE/150W	5000K
SCRFT1550	Tempered prismatic #73 lens	ICE/100W	ICE/150W	5000K
SCRFT0650	Clear Tempered glass lens	ICE/150W	ICE/150W	5000K
SCRFT1650	Tempered prismatic #73 lens	ICE/150W	ICE/150W	5000K

EXAMPLE: SCRFT0450BL=Trunion mount, clear lens, 100W Fulham High Horse lamp and ballast, 5000K, textured black.



3254 North Kilbourn Avenue Chicago, Illinois 60641-4505
 Phone: 773-427-7000 Fax: 800-217-1260 www.escolighting.com

A Woman-Owned Business

Established 1975

