



SPECIFICATIONS

Cylinder: .080" thick aluminum rolled and seam welded. See finish note.

Reflector: .040" thick, spun aluminum polished to a specular finish, anodized and sealed.

Baffle: One-piece spun aluminum finished matte black.

Ballast: Induction high frequency electronic ballast 100V - 120V or 200V-277V.

Lamp: Induction electrodeless fluorescent 55 or 85 watt lamp with average rated life of 100,000 hours.

Splice Box: EZ5 mounting system with twist and lock design. Supplied with quick connect wiring harness. See anodized finish note.

Mounting Pan: Aluminum with 3/4" inner collar, locks up to cylinder splice box. See anodized finish note.

Canopy Set: (Pendant Mount) 0-45° hang straight for 3/8" x 12" long steel pipe standard length with P2 accessory. Finished to match housing.**

Wall Bracket Assembly: One-piece cast aluminum bracket /arm assembly with access plate for wire inspection. Cast aluminum, wall mounting plate with 1/4" thick neoprene gasket. Quick disconnect wiring harness. Escos' EZ5 Mounting System allows the contractor to install the fixture in 5 minutes or less. Finished same as housing. See finish note.

Finish: Detergent cleaned with iron phosphate and chromic acid rust inhibitor. Chip resistant powder urethane polyester coating, electrostatic applied and baked. Standard colors are textured black, textured bronze and white. Custom colors are available. Consult factory or sales representative.

Labels: Surface and wall mount suitable for wet location; pendant mount suitable for damp location. ETL, CETL and I.B.E.W. labeled.

Fixture Warranty: The mechanics are guaranteed to be free from defective material and workmanship, under normal installation and operating conditions, for five years from date of shipment from the factory. See general terms and conditions.

Maximum Ambient Temperature: Maximum 82°F.

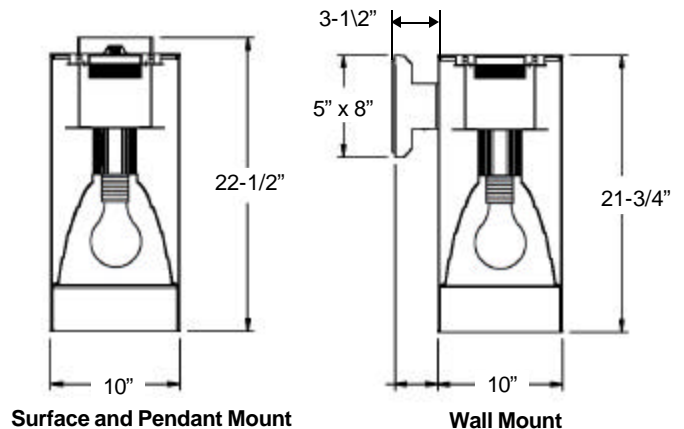
Photometric Information: Contact factory.

**Canopy set for indoor applications only; contact factory for other applications and designs.

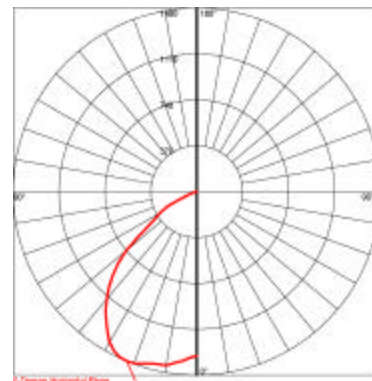
SPECIFICATIONS SUBJECT TO CHANGE WITHOUT NOTICE



Dimensions



Photometrics



WBE City of Chicago Certified

3254 North Kilbourn Avenue Chicago, Illinois 60641-4505
Phone: 773-427-7000 Fax: 800-217-1260 www.escolighting.com
Established 1975





ORDERING INFORMATION

Open Downlight	Surface Mount	Lamps	Color Temp	Mini-Groove Black Baffle	Surface Mount	Lamps	Color Temp
	SF605535	55w	3500k		SF615535	55w	3500k
	SF605541	55w	4100K		SF615541	55w	4100k
	SF605550	55w	5000K		SF615550	55w	5000k
	SF608535	85w	3500k		SF618530	85w	3000k
	SF608541	85w	4100K		SF618541	85w	4100k
	SF608550	85w	5000K		SF618550	85w	5000k

VOLTAGE SUFFIX

1= 100V-120V

4= 200V-277V

OPTIONS & ACCESSORIES



Fuse and Fuse Holder
Suffix Catalog Number With F



Louver Guard
Suffix catalog number with LG3.

EZ5 Wall Mount
Change Prefix S to W.



Photo Control
Suffix Catalog # With

PC4 =120 Volt

PC5 =277 Volt



Pendant Mount Suffix
P2=12" long stem (standard)
P2X="X" is custom stem length
EXAMPLE: P224= 24" long stem.

Color Suffix

BZ= Textured Bronze, BL= Textured Black, W= Sky White.

EXAMPLE ORDER NUMBER: S615535P224BL1= Induction 55 watt lamp, 3500k, 100V-120V, with mini-groove black baffle, 24" stem, textured black.

WBE City of Chicago Certified

3254 North Kilbourn Avenue Chicago, Illinois 60641-4505
Phone: 773-427-7000 Fax: 800-217-1260 www.escolighting.com
Established 1975

