



SPECIFICATIONS

Housing: Extruded aluminum 6063-T5, .090" thick.* See finish note.
Reflector: Spun aluminum .040" thick, finished bright anodized.
Ballast: H.I.D.: pre-wired C.W.A., H.P.F. core and coil with capacitor and starter for HPS.
Lamp: Clear or phosphor coated H.I.D. 50, 70 & 100 watt metal halide medium base all others mogul base (by others).
Lamp Holder: H.I.D.: high heat porcelain w/nickel plated copper screw shell, spring loaded center contact, lamp grips, SF-2 leads (200° C). Impregnated gasket.
Lens: Prismatic acrylic Type V distribution, or optional heat resistant high impact borosilicate glass refractor (see table).
Lens Frame: Injection molded nylon ring, gasketed, retains lens. Spun aluminum for glass refractor. Torsion spring lock-up with safety chain.
Canopy Set: (Pendant Mount) 0-45° hang straight for 3/8" x 12" long steel pipe standard length with P2 accessory. Other lengths available. Finished to match housing.**



Surface Mount: Cast Aluminum 5/32" thick EZ5® splice box mounts to standard 4" octagonal junction box. Safety clip supports cylinder for hands free splice connection. Three #10-32 screws set 120° apart for twist and lock-up of cylinder to splice box. Supplied with quick-connect wiring harness. EZ5® design allows the contractor to install the fixture in 5 easy minutes or less. See illustration above. Finished same as housing. See finish note.

Wall Bracket Assembly: One-piece cast aluminum bracket/arm assembly with access plate for wire inspection. Cast aluminum, wall mounting plate with 1/4" thick neoprene gasket. Quick disconnect wiring harness. Escos's EZ5® Mounting System allows the contractor to install the fixture in 5 minutes or less. Finished same as housing. See finish note.

Finish: All painted parts are washed in alkaline solution, rinsed in an iron phosphate, baked dry, then painted with a TGIC polyester powder coating electrostatic applied and baked.

Labels: Surface and pendant mount suitable for damp location; wall mount suitable for wet location. ETL, CETL and I.B.E.W. labeled.

Photometric Information: Contact factory.

Fixture Warranty: The mechanics are guaranteed to be free from defective material and workmanship, under normal installation and operating conditions, for ten years from date of shipment from the factory. See general terms and conditions.***

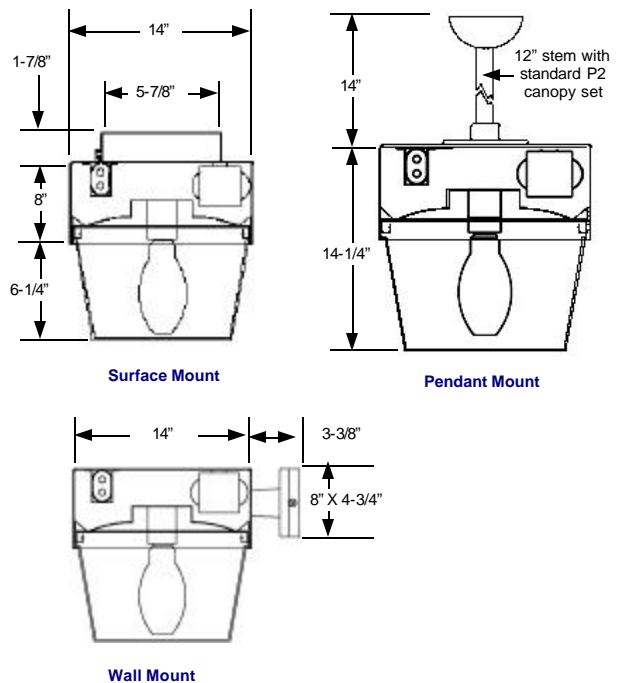
*U.S. Patent No. D570035

**Canopy set for indoor applications only; contact factory for other applications and designs.

***Does not cover acrylic lens

SPECIFICATIONS SUBJECT TO CHANGE WITHOUT NOTICE

DIMENSIONS



WBE City of Chicago Certified

3254 North Kilbourn Avenue Chicago, Illinois 60641-4505
 Phone: 773-427-7000 Fax: 800-217-1260 www.escolighting.com
Established 1975





HOW TO ORDER

Prismatic Acrylic	Mounting System	Light Source	Watts	Prismatic Polycarbonate	Mounting System	Light Source	Watts	Prismatic Borosilicate Glass	Mounting System	Light Source	Watts
SX4012	Surface	HPS	50	SX4112	Surface	HPS	50	SX4212	Surface	HPS	50
SX4013	Surface	HPS	70	SX4113	Surface	HPS	70	SX4213	Surface	HPS	70
SX4014	Surface	HPS	100	SX4114	Surface	HPS	100	SX4214	Surface	HPS	100
SX4022	Surface	MH	50	SX4115	Surface	HPS	150	SX4215	Surface	HPS	150
SX4023	Surface	MH	70	SX4122	Surface	MH	50	SX4222	Surface	MH	50
SX4024	Surface	MH	100	SX4123	Surface	MH	70	SX4223	Surface	MH	70
WX4012	Wall	HPS	50	SX4124	Surface	MH	100	SX4224	Surface	MH	100
WX4013	Wall	HPS	70	SX4125	Surface	MH	150*	SX4225	Surface	MH	150*
WX4014	Wall	HPS	100	SX4126	Surface	MH	175*	SX4226	Surface	MH	175*
WX4022	Wall	MH	50	SX41215	Surface	MH Pulse Start	150*	SX42215	Surface	MH Pulse Start	150*
WX4023	Wall	MH	70	SX41217	Surface	MH Pulse Start	175*	SX42217	Surface	MH Pulse Start	175*
WX4024	Wall	MH	100								
				WX4112	Wall	HPS	50	WX4212	Wall	HPS	50
				WX4113	Wall	HPS	70	WX4213	Wall	HPS	70
				WX4114	Wall	HPS	100	WX4214	Wall	HPS	100
				WX4115	Wall	HPS	150	WX4215	Wall	HPS	150
				WX4122	Wall	MH	50	WX4222	Wall	MH	50
				WX4123	Wall	MH	70	WX4223	Wall	MH	70
				WX4124	Wall	MH	100	WX4224	Wall	MH	100
				WX4125	Wall	MH	150*	WX4225	Wall	MH	150*
				WX4126	Wall	MH	175*	WX4226	Wall	MH	175*
				WX41215	Wall	MH Pulse Start	150*	WX42215	Wall	MH Pulse Start	150*
				WX41217	Wall	MH Pulse Start	175*	WX42217	Wall	MH Pulse Start	175*

* Wall mount, pendant mount only.

Voltage Suffix	Color Suffix
1= 120V 5= 480V	BZ= Textured Bronze
2= 208V 8= Multi-Tap wired for 277V	BL= Textured Black
3= 240V 9= Multi-Tap unwired	W= Sky White
4= 277V 0= 347V	Other Consult Factory

EXAMPLE: SX4122BLP224-1 = Surface mount, prismatic polycarbonate lens, 50 watt metal halide, textured black, pendant mount with 24" stem.

ACCESSORIES

Pendant Mount Suffix
P2=12" long stem standard (14" overall canopy set length)
P2X="X" is custom stem length
EXAMPLE: P224= 24" long stem.



Photo Control**
 Suffix Catalog # With

PC4 =120 Volt
PC5 =277 Volt



Fuse and Fuse Holder**
 Suffix Catalog Number With F



**120 or 277 volt must be specified when ordering a Photo Control or Fuse and Fuse Holder.



WBE City of Chicago Certified

3254 North Kilbourn Avenue Chicago, Illinois 60641-4505
 Phone: 773-427-7000 Fax: 800-217-1260 www.escolighting.com
Established 1975

