

SPECIFICATIONS

Housing: Extruded aluminum 6063-T5, .090" thick.* See finish note.

Reflector: .040 aluminum finished high gloss white.

Ballast: Compact fluorescent electronic high power factor class P, universal voltage 120 thru 277 volt; 50/60Hz. mounted to cast aluminum top.

Lamp: See "How to Order" chart (by others).

Lamp Holder: Compact fluorescent base (see How to order chart).

Lens Frame: Aluminum gasketed to seal out contaminants. Torsion spring lock-up with safety chain.

Lens: Prismatic acrylic Type V distribution, or optional heat resistant high impact borosilicate glass refractor (see table).

Canopy Set: (Pendant Mount) 0-45° hang straight for 3/8" x 12" long steel pipe standard length with P2 accessory. Other lengths available. Finished to match housing.**



Surface Mount: Cast Aluminum 5/32" thick EZ5 splice box mounts to standard 4" octagonal junction box. Safety clip supports cylinder for hands free splice connection. Three #10-32 screws set 120° apart for twist and lock-up of cylinder to splice box. Supplied with quick-connect wiring harness. EZ5 design allows the contractor to install the fixture in 5 easy minutes or less. See illustration above. Finished same as housing. See finish note.

Wall Bracket Assembly: One-piece cast aluminum bracket/arm assembly with access plate for wire inspection. Cast aluminum, wall mounting plate with 1/4" thick neoprene gasket. Quick disconnect wiring harness. Esco's EZ5 Mounting System allows the contractor to install the fixture in 5 minutes or less. Finished same as housing. See finish note.

Finish: All painted parts are washed in alkaline solution, rinsed in an iron phosphate, baked dry, then painted with a TGIC polyester powder coating electrostatic applied and baked.

Labels: Surface and pendant mount suitable for damp location; wall mount suitable for wet location. ETL, CETL and I.B.E.W. labeled.

Photometric Information: Contact factory.

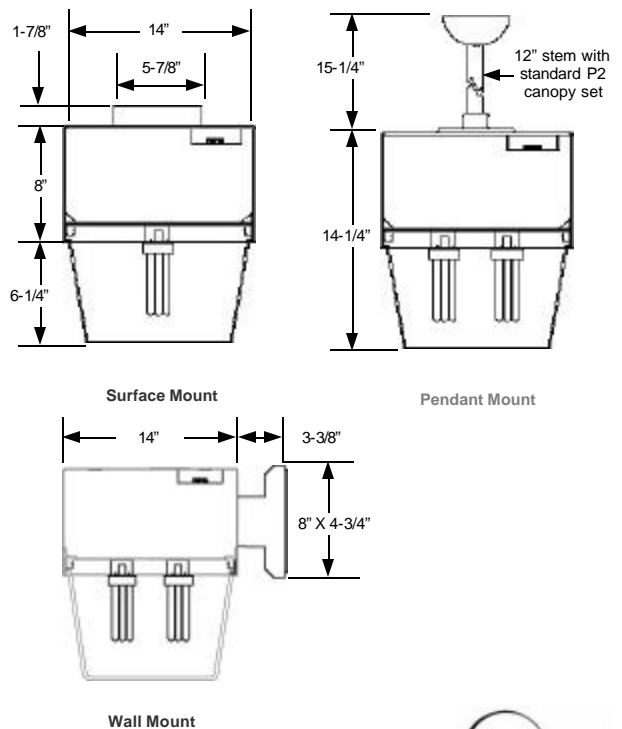
Fixture Warranty: The mechanics are guaranteed to be free from defective material and workmanship, under normal installation and operating conditions, for ten years from date of shipment from the factory. See general terms and conditions.***

*U.S. Patent No. D570035

**Canopy set for indoor applications only; contact factory for other applications and designs.

***Does not cover acrylic lens

DIMENSIONS



SPECIFICATIONS SUBJECT TO CHANGE WITHOUT NOTICE



WBE City of Chicago Certified

3254 North Kilbourn Avenue Chicago, Illinois 60641-4505
Phone: 773-427-7000 Fax: 800-217-1260 www.escolighting.com
Established 1975



HOW TO ORDER

Prismatic Acrylic	Mounting System	Lamp Base	Watts	Prismatic Polycarbonate	Mounting System	Lamp Base	Watts	Prismatic Borosilicate Glass	Mounting System	Lamp Base	Watts
SX403T3	Surface	GX24q-3	1-26	SX413T3	Surface	GX24q-3	1-26	SX423T3	Surface	GX24q-3	1-26
SX4032T3	Surface	GX24q-3	2-26	SX4132T3	Surface	GX24q-3	2-26	SX4232T3	Surface	GX24q-3	2-26
SX403T4	Surface	GX24q-3	1-32	SX413T4	Surface	GX24q-3	1-32	SX423T4	Surface	GX24q-3	1-32
SX4032T4	Surface	GX24q-3	2-32	SX4132T4	Surface	GX24q-3	2-32	SX4232T4	Surface	GX24q-3	2-32
SX403T5	Surface	GX24q-4	1-42	SX413T5	Surface	GX24q-4	1-42	SX423T5	Surface	GX24q-4	1-42
SX4032T5	Surface	GX24q-4	2-42	SX4132T5	Surface	GX24q-4	2-42	SX4232T5	Surface	GX24q-4	2-42
WX403T3	Wall	GX24q-3	1-26	WX413T3	Wall	GX24q-3	1-26	WX423T3	Wall	GX24q-3	1-26
WX4032T3	Wall	GX24q-3	2-26	WX4132T3	Wall	GX24q-3	2-26	WX4232T3	Wall	GX24q-3	2-26
WX403T4	Wall	GX24q-3	1-32	WX413T4	Wall	GX24q-3	1-32	WX423T4	Wall	GX24q-3	1-32
WX4032T4	Wall	GX24q-3	2-32	WX4132T4	Wall	GX24q-3	2-32	WX4232T4	Wall	GX24q-3	2-32
WX403T5	Wall	GX24q-4	1-42	WX413T5	Wall	GX24q-4	1-42	WX423T5	Wall	GX24q-4	1-42
WX4032T5	Wall	GX24q-4	2-42	WX4132T5	Wall	GX24q-4	2-42	WX4232T5	Wall	GX24q-4	2-42

Voltage Suffix

1= 120V	3= 240V	5= 480V	9= Multi-Tap unwired
2= 208V	4= 277V	8= Multi-Tap wired for 277V	0= 347V

Color Suffix

BZ= Textured Bronze
BL= Textured Black
W=Sky White
Other Consult Factory

EXAMPLE: SX4132T5BLP224-1 = Prismatic polycarbonate lens, 2-42 CFL, textured black, pendant mount with 24" stem, 120V.

ACCESSORIES

Pendant Mount Suffix

P2=12" long stem standard
(14" overall canopy set length)
P2X="X" is custom stem
length
EXAMPLE: P224= 24" long
stem.



Photo Control* Suffix Catalog # With

PC4 =120 Volt
PC5 =277 Volt



Fuse and Fuse Holder* Suffix Catalog Number With F



*120 or 277 volt must be specified when ordering a Photo Control or Fuse and Fuse Holder.



WBE City of Chicago Certified

3254 North Kilbourn Avenue Chicago, Illinois 60641-4505
Phone: 773-427-7000 Fax: 800-217-1260 www.escolighting.com
Established 1975

