

SPECIFICATIONS

Cylinder: .094" Aluminum, rolled and seam welded with top 6" long perforation (40% with 3/32" holes). See finish note.

Cylinder Aperture Top: Spun C.R.S. trim frame with 5/32" thick prismatic C73 tempered glass lens. Finished to match cylinder.

Cylinder Aperture Bottom: Open aperture with spun C.R.S. trim frame. Finished to match cylinder.

Reflector: 6" Diameter up, 8" diameter down spun aluminum alloy #3002, polished to a mirror finish then electro-chemically processed to provide specular finish.

Ballast: Prewired 70W M-98 up, 100W M90 down high reactance high power factor auto transformer with capacitor and starter.

Lamp: 70W metal halide E-17 phosphor coated medium base up, 100W metal halide PAR-38 medium base down (by others).

Lamp Holder; Medium base high heat porcelain socket 4KV rated w/nickel plated copper screw shell, spring loaded center contact, lamp grips, SF-2 leads (200° C). Impregnated gasket.

Canopy Set: (Pendant Mount) 0-45° hang straight for 3/8" x 12" long steel pipe standard length with P2 accessory. Finished to match housing. Heavy cast loops with wireway and 1/16" stainless steel aircraft cable links. 18/3 SVT white straight cord.**

Finish: Detergent cleaned with iron phosphate and chromic acid rust inhibitor. Chip resistant powder urethane polyester coating, electro-static applied and baked. Standard colors black, white and bronze. Custom colors are available. Consult factory or sales representative.

Labels: Pendant mount suitable for damp location. ETL, CETL and I.B.E.W. labeled.

Fixture Warranty: The fixture mechanics are guaranteed to be free from defective material and workmanship, under normal installation and operating conditions, for five years from date of shipment from the factory. See General Terms and Conditions.

Photometric Information: Contact factory or visit www.escolighting.com

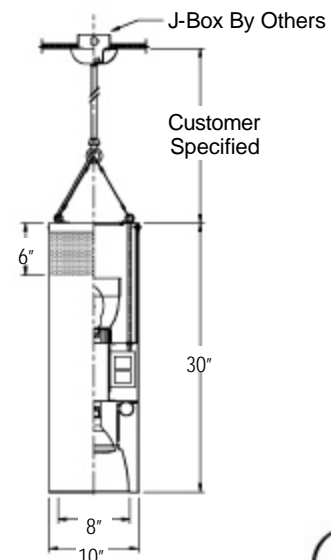
**Canopy set for indoor applications only; contact factory for other applications and designs.

SPECIFICATIONS SUBJECT TO CHANGE WITHOUT NOTICE



Open Aperture Down
C73 Prismatic Tempered Glass Up

Dimensions



3254 North Kilbourn Avenue Chicago, Illinois 60641-4505
Phone: 773-427-7000 Fax: 800-217-1260 www.escolighting.com

A Woman-Owned Business

Established 1975

