

## SPECIFICATIONS

**Cylinder:** Extruded aluminum 6063-T5, .090" thick. See finish note.

**Cylinder Aperture Top** Cast aluminum with 3/16" thick clear tempered glass mechanically held into place with three stainless steel clips. Silicone caulked to frame to prevent leakage and contaminants.

**Cylinder Aperture Bottom** Open aperture standard, one-piece aluminum mini-groove baffle or louver guard painted matte black available. See options and accessories. Enclosed rated metal halide lamps provided with clear tempered glass shield and safety chain. Open rated metal halide lamps with open aperture.

**Reflector:** .040" thick, polished to a specular finish, anodized and sealed.

**Reflector Top:** Extruded aluminum, supports socket and reflector. Dissipates heat from lamp and socket.

**Ballast:** Prewired C.W.A., H.P.F. core and coil with capacitor and starter for HPS or low frequency electronic HID ballast, 120-277 volts, 50/60 Hz. See table.

**Lamp:** Phosphor coated medium base. By others, see chart.

**Lamp Holder:** High heat porcelain, 4 KV rated with nickel plated copper screw shell, spring loaded center contact, lamp grips, SF-2 wire leads (200C), impregnated silicone gasket.

**Mounting Plate:** Galvanized plate bolts directly to outlet box. Supports ballast assemblies and fits into wall bracket.

**Wall Bracket:** Ballast housing cover is aluminum construction, seam welded. Bolts to ballast mounting plate and supports cylinder. Finished same as cylinder.

**Powder Coat Finish:** Detergent cleaned with iron phosphate and chromic acid rust inhibitor. Chip resistant powder urethane polyester coating, electro-static applied and baked. Standard colors black (BL), white (W) and bronze (BZ). Custom colors are available. Consult factory or sales representative.

**Labels:** ETL, CETL listed & I.B.E.W labeled; suitable for wet location for wall mount.

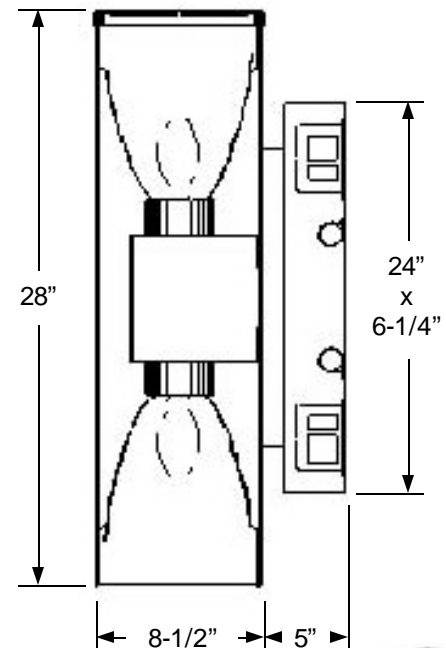
**Fixture Warranty:** The fixture mechanics are guaranteed to be free from defective material and workmanship, under normal installation and operating conditions, for five years from date of shipment from the factory. See General Terms and Conditions.

**Photometric Information:** Contact factory.

**SPECIFICATIONS SUBJECT TO CHANGE WITHOUT NOTICE**  
 U.S. Patent No. D570035



**DIMENSIONS**





3254 North Kilbourn Avenue Chicago, Illinois 60641-4505  
 Phone: 773-427-7000 Fax: 800-217-1260 [www.escolighting.com](http://www.escolighting.com)

**A Woman-Owned Business**  
 Established 1975



## HOW TO ORDER

ARCHITECTURAL OPEN DOWNLIGHT	Catalog Number	Light Source	Watts	Lamp Base	Ballast	ARCHITECTURAL OPEN DOWNLIGHT WITH BAFFLE	Catalog Number	Light Source	Watts	Lamp Base	Ballast
	WX260228*	MH	50	Med	standard		WX261228*	MH	50	Med	standard
	WXE260228	MH	50	Med	electronic		WXE261228	MH	50	Med	electronic
	WXO260228	MH Open Rated	50	Med	standard		WXO261228	MH Open Rated	50	Med	standard
	WX260238*	MH	70	Med	standard		WX261238*	MH	70	Med	standard
	WXE260238	MH	70	Med	electronic		WXE261238	MH	70	Med	electronic
	WXO260238	MH Open Rated	70	Med	standard		WXO260238	MH Open Rated	70	Med	standard
	WX26024*	MH	100	Med	standard		WX26124*	MH	100	Med	standard
	WXE26024	MH	100	Med	electronic		WXE26124	MH	100	Med	electronic
	WXO26024	MH Open Rated	100	Med	standard		WXO26124	MH Open Rated	100	Med	standard

\*Includes clear tempered glass lens regressed in aperture.

**EXAMPLE:** WXE260234LG2BZ-1 = 100W metal halide lamp, electronic ballast with louver guard, bronze, 120 volt.

## OPTIONS AND ACCESSORIES

### Quartz Re-strike Systems

Suffix catalog number with;

- E1A** Mini-Can Socket assembly for separate circuit entry with relay for one lamp burning only.
- E2** Emergency re-strike system, mini-can socket assembly (150 watt maximum lamp).
- E65** Emergency re-strike system, mini-can socket assembly (150 watt maximum lamp) with time delay.

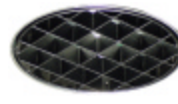
### Voltage Suffix

1=120V 2=208V

3=240V 4=277V

5=480V 6=230V

0=347V \*Consult Factory



### Louver guard option

Suffix catalog number with LG2.

### Photo Control Option

Suffix Catalog # With

PC4=120 Volt

PC5+277 Volt



### Color Suffix

W= White

BZ= Bronze

BL= Black

### Fuse and Fuse Holder

Suffix Catalog Number With "F"



3254 North Kilbourn Avenue Chicago, Illinois 60641-4505  
 Phone: 773-427-7000 Fax: 800-217-1260 [www.escolighting.com](http://www.escolighting.com)

**A Woman-Owned Business**

**Established 1975**

