

SPECIFICATIONS

Cylinder: Extruded aluminum 6063-T5, .090" thick. See finish note.

Cylinder Aperture Top Cast aluminum with 3/16" thick clear tempered glass mechanically held into place with three stainless steel clips. Silicone caulked to frame to prevent leakage and contaminants.

Cylinder Aperture Bottom Open aperture standard, one-piece aluminum mini-groove baffle or louver guard painted matte black available. See options and accessories. Enclosed rated metal halide lamps provided with clear tempered glass shield and safety chain. Open rated metal halide lamps with open aperture.

Reflector Spun aluminum electro-chemically processed to provide semi-specular finish.

Ballast: Two lamp metal halide electronic ballast 120V or 277V, 50/60Hz. See table.

Lamp Phosphor coated (by others).

Lamp Holder High heat porcelain socket 4KV rated w/ nickel plated copper screw shell, spring loaded center contact, lamp grips, SF-2 leads (200° C). Impregnated gasket. See table.

Wall Bracket: Extruded aluminum 6063-T5 arm assembly with integrated ballast compartment, trap door access to ballast, "EZ5" mounting system. Cast aluminum wall mounting plate with 1/4" thick neoprene gasket. Quick disconnect wiring harness. Finished to match housing.

Powder Coat Finish: Detergent cleaned with iron phosphate and chromic acid rust inhibitor. Chip resistant powder urethane polyester coating, electro-static applied and baked. Standard colors black (BL), white (W) and bronze (BZ). Custom colors are available. Consult factory or sales representative.

Labels ETL, CETL listed & I.B.E.W labeled; suitable for wet location.

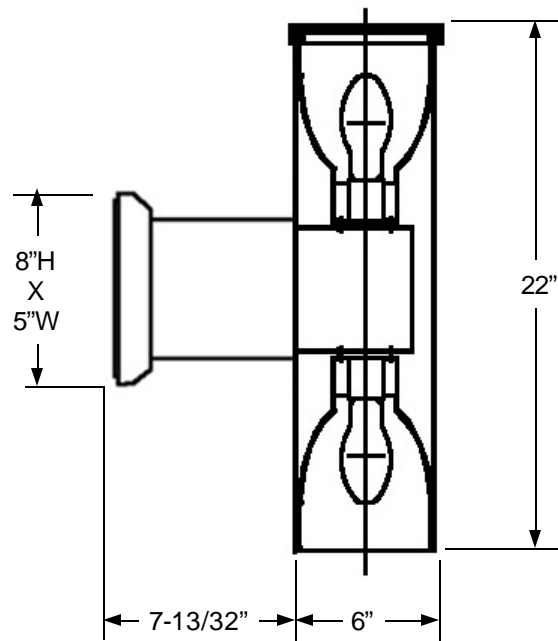
Fixture Warranty: The fixture mechanics are guaranteed to be free from defective material and workmanship, under normal installation and operating conditions, for ten years from date of shipment from the factory. See General Terms and Conditions.

Photometric Information: Contact factory or visit www.escolighting.com.

SPECIFICATIONS SUBJECT TO CHANGE WITHOUT NOTICE
U.S. Patent No. D570035



Dimensions:



3254 North Kilbourn Avenue Chicago, Illinois 60641-4505
Phone: 773-427-7000 Fax: 800-217-1260 www.escolighting.com

A Woman-Owned Business
Established 1975



Ordering Information

Architectural Open Downlight



Catalog Number	Watts	Light Source	Lamp Base
WXA266011	35	HPS	Med.
WXA266012	50	HPS	Med.
WXA266013	70	HPS	Med.
WXA266039	39	MH	GX10
WXA266022*/WAX266022**	50	MH	Med.
WAX266023*/WXA266023**	70	MH	Med.
WXA266023PAR	70	MH PAR 38	Med.

Architectural Open Downlight with Baffle.



Catalog Number	Watts	Light Source	Lamp Base
WXA266111	35	HPS	Med.
WXA266112	50	HPS	Med.
WXA266113	70	HPS	Med.
WXA266139	39	MH	GX10
WXA2666122*/WXA26122**	50	MH	Med.
WXA266123*/WXA266123**	70	MH	Med.
WXA266123PAR	70	MH PAR 38	Med.

Voltage Suffix 1=120V 2=208V 3=240V 4=277V 5=480V 8=Multi-tap wired for 277V 9=Multi-tap unwired 0=347V

*Includes clear tempered glass lens and safety chain regressed in aperture.

**Only downlight open rated, uplight standard.

Options & Accessories

Quartz Re-strike Systems

Suffix catalog number with;

- E1A** Mini-Can Socket assembly for separate circuit entry with relay for one lamp burning only.
- E2** Emergency re-strike system, mini-can socket assembly (150 watt maximum lamp).
- E65** Emergency re-strike system, mini-can socket assembly (150 watt maximum lamp) with time delay.



Color

Suffix Catalog Number With
W= White
BZ= Bronze
BL= Black

Photo Control

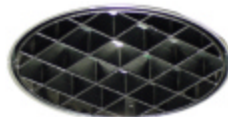
Suffix Catalog # With

PC4 =120 Volt
PC5 =277 Volt



Ballast Options

EM= Emergency Ballast
DM= Dimming Ballast



Louver Guard

Suffix catalog number with **LG3**.

Fuse and Fuse Holder

Suffix Catalog Number With **F**



3254 North Kilbourn Avenue Chicago, Illinois 60641-4505
 Phone: 773-427-7000 Fax: 800-217-1260 www.escolighting.com

A Woman-Owned Business
 Established 1975

