

## SPECIFICATIONS

**Cylinder:** Extruded aluminum 6063-T5, .090" thick. See finish note.

**Cylinder Aperture Top** Cast aluminum with 3/16" thick clear tempered glass mechanically held into place with three stainless steel clips. Silicone caulked to frame to prevent leakage and contaminants.

**Cylinder Aperture Bottom** Open aperture standard, one-piece aluminum mini-groove baffle or louver guard painted matte black available. See options and accessories. Enclosed rated metal halide lamps provided with clear tempered glass shield and safety chain. Open rated metal halide lamps with open aperture.

**Reflector:** .040" thick, polished to a specular finish, anodized and sealed.

**Reflector Top:** Extruded aluminum, supports socket and reflector. Dissipates heat from lamp and socket.

**Ballast:** Two lamp metal halide electronic ballast 120V through 277V, 50/60Hz. See table.

**Lamp:** By others, see chart.

**Lamp Holder:** High heat porcelain, 4 KV rated with nickel plated copper screw shell, spring loaded center contact, lamp grips, SF-2 wire leads (200C), impregnated silicone gasket.

**Wall Bracket:** Extruded aluminum 6063-T5 arm assembly with integrated ballast compartment, trap door access to ballast, "EZ5" mounting system. Cast aluminum wall mounting plate with 1/4" thick neoprene gasket. Quick disconnect wiring harness. Finished to match housing.

**Powder Coat Finish:** Detergent cleaned with iron phosphate and chromic acid rust inhibitor. Chip resistant powder urethane polyester coating, electro-static applied and baked. Standard colors black (BL), white (W) and bronze (BZ). Custom colors are available. Consult factory or sales representative.

**Labels:** ETL, CETL listed & I.B.E.W labeled; suitable for wet location for wall mount.

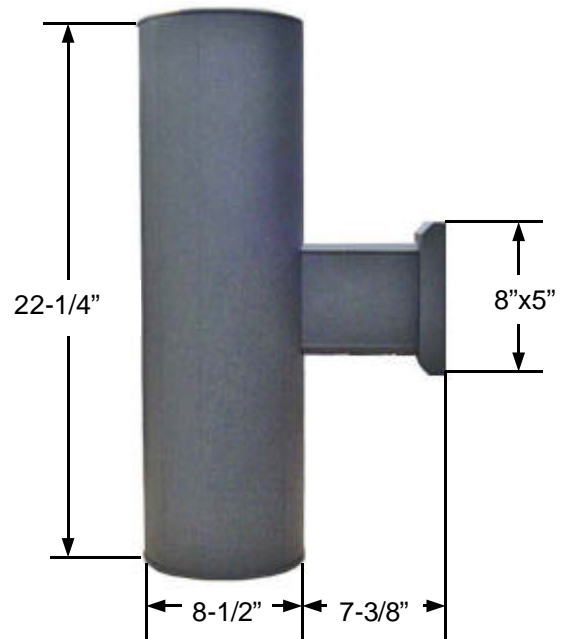
**Fixture Warranty:** The fixture mechanics are guaranteed to be free from defective material and workmanship, under normal installation and operating conditions, for five years from date of shipment from the factory. See General Terms and Conditions.

**Photometric Information:** Contact factory.

**SPECIFICATIONS SUBJECT TO CHANGE WITHOUT NOTICE**  
 U.S. Patent No. D570035



**DIMENSIONS**



**WBE City of Chicago Certified**

3254 North Kilbourn Avenue Chicago, Illinois 60641-4505  
 Phone: 773-427-7000 Fax: 800-217-1260 [www.escolighting.com](http://www.escolighting.com)  
**Established 1975**



## HOW TO ORDER

### ARCHITECTURAL OPEN DOWNLIGHT



Catalog Number	Light Source	Watts	Lamp Base	ANSI Code
WXA260220PAR3	MH Par 30	20	Med	M156/0
WXA260239PAR3	MH Par 30	39	Med	M130/0

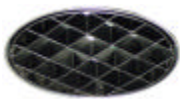
### ARCHITECTURAL OPEN DOWNLIGHT WITH BAFFLE



Catalog Number	Light Source	Watts	Lamp Base	ANSI Code
WXA261220PAR3	MH Par 30	20	Med	M156/0
WXA261239PAR3	MH Par 30	39	Med	M130/0

**EXAMPLE:** WXA261220PAR3LG2BZ= 20W Par 30 metal halide lamp, with louver guard, bronze.

## OPTIONS AND ACCESSORIES



### Louver guard option

Suffix catalog number with LG2.



### Fuse and Fuse Holder

Suffix Catalog Number With "F"

### Color Suffix

W= White  
 BZ= Bronze  
 BL= Black

### Quartz Re-strike Systems

Suffix catalog number with;

- E1A** Mini-Can Socket assembly for separate circuit entry with relay for one lamp burning only.
- E2** Emergency re-strike system, mini-can socket assembly (150 watt maximum lamp).
- E65** Emergency re-strike system, mini-can socket assembly (150 watt maximum lamp) with time delay.



### Photo Control Option

Suffix Catalog # With

PC4=120 Volt  
 PC5+277 Volt



### WBE City of Chicago Certified

3254 North Kilbourn Avenue Chicago, Illinois 60641-4505  
 Phone: 773-427-7000 Fax: 800-217-1260 [www.escolighting.com](http://www.escolighting.com)  
 Established 1975

