

SPECIFICATIONS

Cylinder: Four piece extruded aluminum 6063-T5, .090" thick, seamless design. See finish note.

Reflector: .050" spun aluminum, polished to a mirror finish, then electro-chemically processed to provide a specular finish.

Reflector Top: Extruded aluminum, supports socket and reflector. Dissipates heat from lamp and socket.

Uplight Aperture: Cast aluminum with 3/16" thick clear tempered glass silicone caulked to frame to prevent leakage and contaminants. Finish to match housing.

Downlight Aperture: Open, no lens, aperture design, capped with die cast aluminum trim ring. Finished same as cylinder.

Ballast: Compact fluorescent electronic high power factor class P, universal voltage 120 thru 277 volt; 50/60 Hz, sound rated A.

Lamp: Triple four pin PLT compact fluorescent by others, see table.

Lamp Holder: Universal four pin PLT base (GX24q-4) for 26, 32 and 42 watt PLT's, .

Wall Bracket: one-piece cast aluminum construction arm / bracket assembly with access plate for wire inspection, Esco's "EZ5" mounting system. Cast aluminum wall mounting plate with 1/4" thick neoprene gasket. Quick connect wiring harness. Finished to match housing.

Powder Coat Finish: Detergent cleaned with iron phosphate and chromic acid rust inhibitor. Chip resistant powder urethane polyester coating, electro-static applied and baked. Standard colors black (BL), white (W) and bronze (BZ). Custom colors are available. Consult factory or sales representative.

Labels: Wall mount suitable for wet location. ETL, CETL and I. B.E.W. labeled.

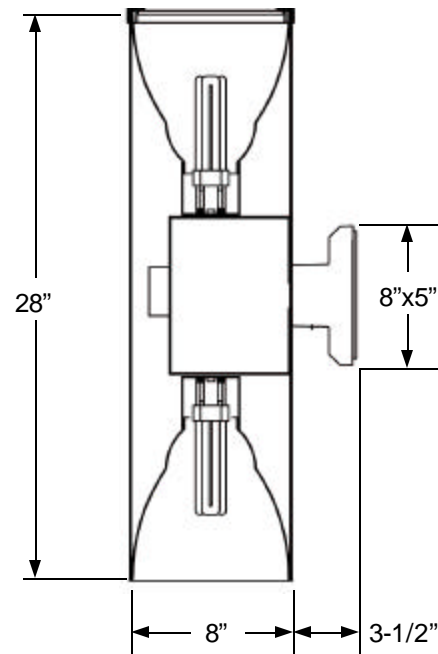
Fixture Warranty: The fixture mechanics are guaranteed to be free from defective material and workmanship, under normal installation and operating conditions, for ten years from date of shipment from the factory. See General Terms and Conditions.

Photometric Information: Contact factory.

SPECIFICATIONS SUBJECT TO CHANGE WITHOUT NOTICE
U.S. Patent No. D570035



DIMENSIONS



WBE City of Chicago Certified

3254 North Kilbourn Avenue Chicago, Illinois 60641-4505
 Phone: 773-427-7000 Fax: 800-217-1260 www.escolighting.com
Established 1975



HOW TO ORDER

ARCHITECTURAL OPEN DOWNLIGHT



Catalog Number	Light Source	Watts	Lamp Base
WXB2608T3	CFL	26W	GX24q-3
WXB2608T4	CFL	32W	GX24q-3
WXB2608T5	CFL	42W	GX24q-4

ARCHITECTURAL OPEN DOWNLIGHT WITH BAFFLE



Catalog Number	Light Source	Watts	Lamp Base
WXB2618T3	CFL	26W	GX24q-3
WXB2618T4	CFL	32W	GX24q-3
WXB2618T5	CFL	42W	GX24q-4

Color Suffix

W= White
 BZ= Bronze
 BL= Black

EXAMPLE: WXB2618T5LG2BZ-1 = 42W compact fluorescent lamp, with louver guard, bronze, 120 volt.

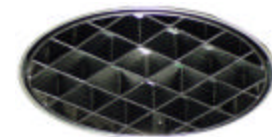
OPTIONS AND ACCESSORIES

Photo Control Option
 Suffix Catalog # With

PC4=120 Volt
 PC5+277 Volt



Fuse and Fuse Holder
 Suffix Catalog Number
 With "F"



Louver guard option
 Suffix catalog number
 with LG2.



WBE City of Chicago Certified

3254 North Kilbourn Avenue Chicago, Illinois 60641-4505
 Phone: 773-427-7000 Fax: 800-217-1260 www.escolighting.com
 Established 1975

