

## SPECIFICATIONS

**Housing:** Extruded aluminum construction with corrosion resistant hardware.

**Door Frame:** Heavy duty die cast or die formed aluminum, one piece silicone gasket, secured with counter sunk fasteners.

**Lens:** Tempered clear glass with silicone gasket.

**LED:** High Power LED, 1W LED/138 PCS, 2700K / 5000K / 8000K

**Driver:**

**Mounting:** 2.375" O.D. maximum tenon.

**Finish:** Silver, detergent cleaned, prime coated. Chip resistant powder urethane polyester coating, electrostatic applied and baked.

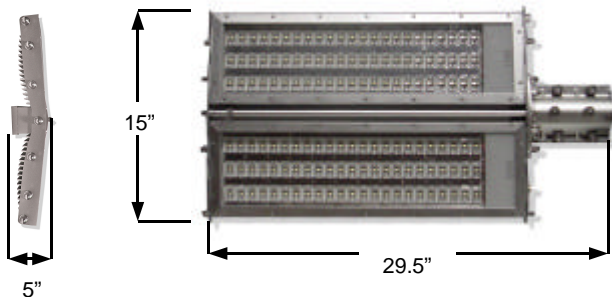
**Photometric Information:** See table.

**Labels:** ETL, IBEW, IP65 rated

Light Source	High Power LED
Beam Angle	120 degrees
Watts	141W
Voltage	120-277
Color Temperature	2700K- 8000K
Light Source Number	1W LED/138 PCS
Luminous flux	11150 LM
Service Life	50,000 Hrs

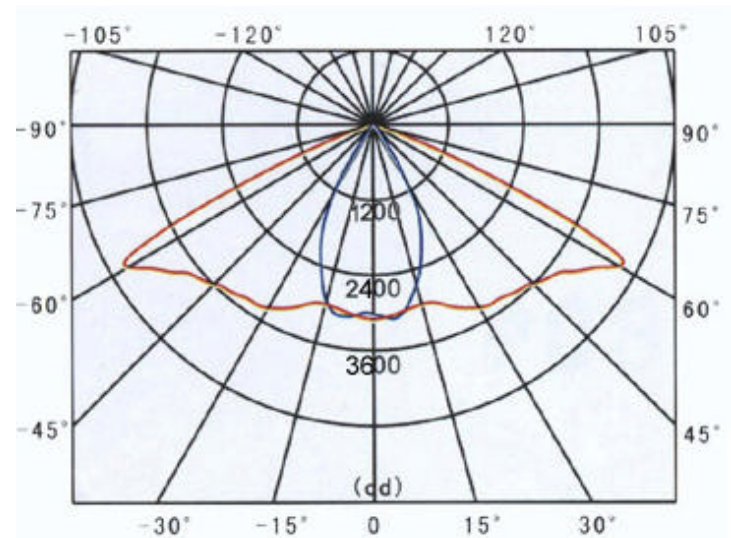
*SPECIFICATIONS SUBJECT TO CHANGE WITHOUT NOTICE*

## Dimensions:



**Application:** Highways, city streets, parking lots, commercial and industrial complexes, residential areas, parkway lighting and other general applications.

## Photometrics:

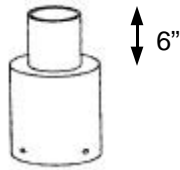


3254 North Kilbourn Avenue Chicago, Illinois 60641-4505  
Phone: 773-427-7000 Fax: 800-217-1260 [www.escolighting.com](http://www.escolighting.com)

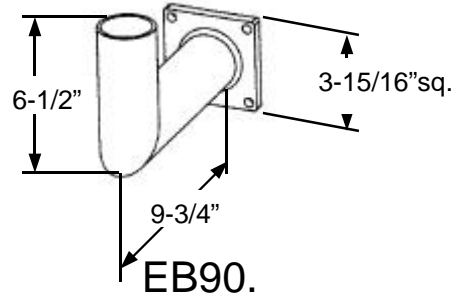
**A Woman-Owned Business**  
Established 1975



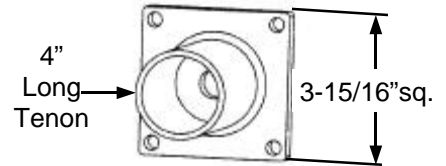
OPTIONS and ACCESSORIES



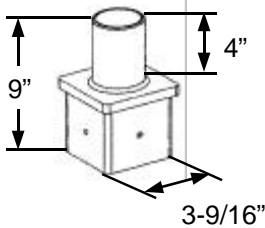
**ETR1.**  
2-3/8" O.D., 2-1/8" I.D.  
Tenon for 4" round poles



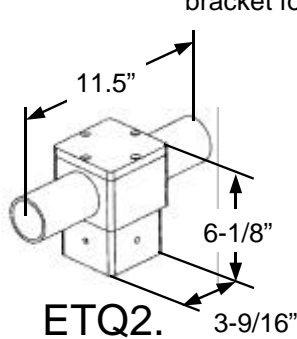
**EB90.**  
90 Degree "L" mounting  
bracket for 2-3/8" slip-fitter



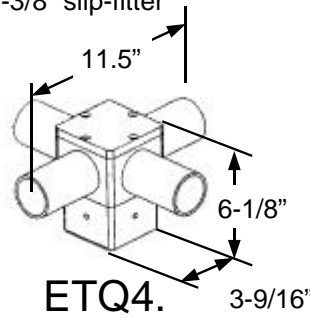
**EBS.**  
2-3/8" O.D., 2-1/8" I.D.  
Tenon Straight mounting  
bracket for 2-3/8"  
slip-fitter



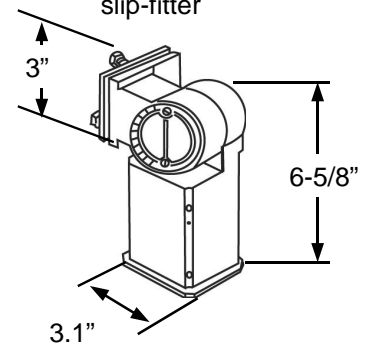
**ETQ1.**  
Single 2-3/8" O.D.,  
2-1/8" I.D. tenon for  
4" square poles



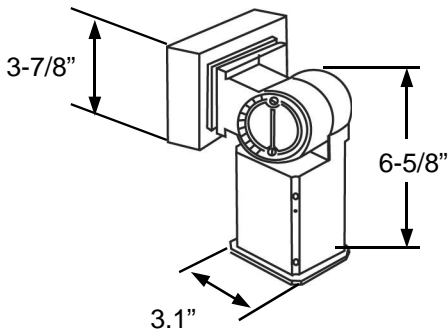
**ETQ2.**  
Twin 2-3/8" O.  
D., 2-1/8" I.D.  
tenon for 4"  
square poles



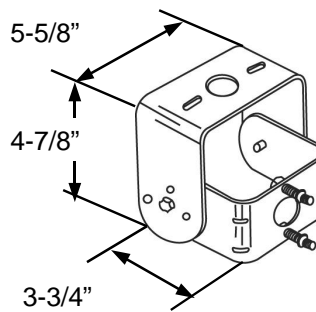
**ETQ4.**  
Quad 2-3/8" O.  
D., 2-1/8" I.D.  
tenon for 4"  
square poles



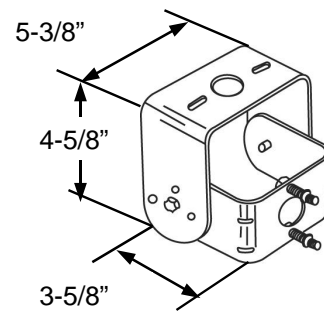
**SF.**  
Die cast aluminum SF joint adjusts  
over 180 degree arc. O.D. 2-4".  
Powder coating.



**SF.**  
Die cast aluminum SF joint adjusts  
over 180 degree arc. O.D. 2-4".  
Powder coating.



**TR.**  
SPHC, Thick 6mm Adjusts over  
180 degree arc. Mounting can be  
locked securely in place. Powder  
coating.



**TR.**  
SPHC, Thick 3.5mm Adjusts over  
180 degree arc. Mounting can be  
locked securely in place. Powder  
coating.



3254 North Kilbourn Avenue Chicago, Illinois 60641-4505  
Phone: 773-427-7000 Fax: 800-217-1260 [www.escolighting.com](http://www.escolighting.com)

**A Woman-Owned Business**  
Established 1975

