

SPECIFICATIONS

Housing: Extruded aluminum construction with corrosion resistant hardware.

Door Frame: Heavy duty die cast or die formed aluminum, one piece silicone gasket, secured with counter sunk fasteners.

Lens: Tempered clear glass with silicone gasket.

LED: High Power LED, 1W LED/90PCS, 2700K / 5000K / 8000K

Driver:

Mounting: 2.375" O.D. maximum tenon.

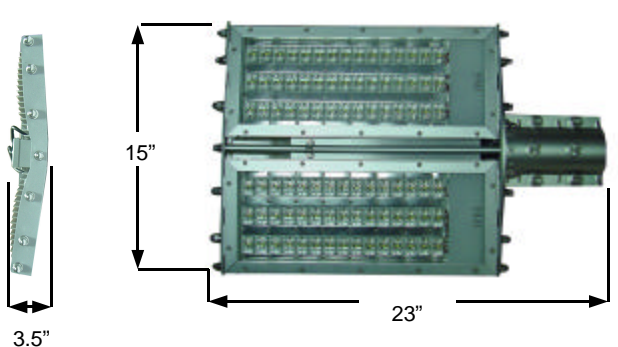
Finish: Silver, detergent cleaned, prime coated. Chip resistant powder urethane polyester coating, electrostatic applied and baked.

Photometric Information: See table.

Light Source	High Power LED
Beam Angle	130 x 60 degrees
Watts	99W
Voltage	120-277
Color Temperature	2700K- 8000K
Light Source Number	1W LED/90 PCS
Luminous flux	7500 LM
Service Life	50,000 Hrs

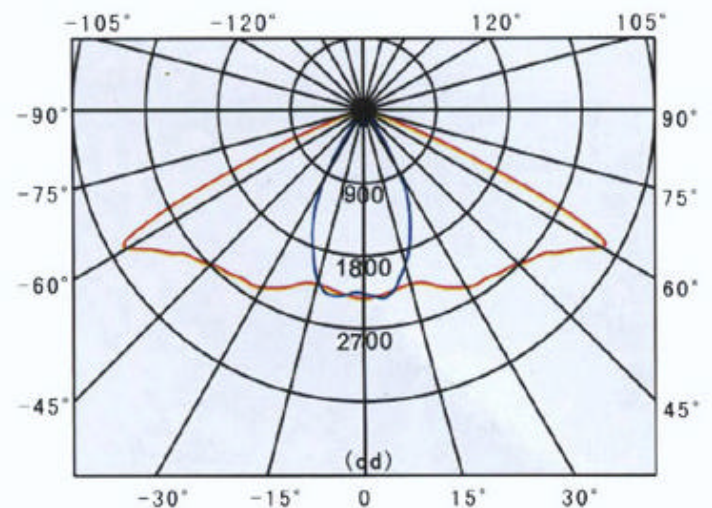
SPECIFICATIONS SUBJECT TO CHANGE WITHOUT NOTICE

Dimensions:



Application: Highways, city streets, parking lots, commercial and industrial complexes, residential areas, parkway lighting and other general applications.

Photometrics:

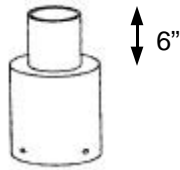


3254 North Kilbourn Avenue Chicago, Illinois 60641-4505
Phone: 773-427-7000 Fax: 800-217-1260 www.escolighting.com

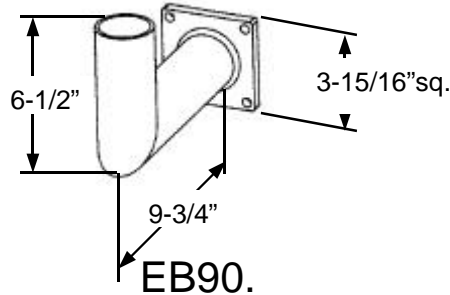
A Woman-Owned Business
Established 1975



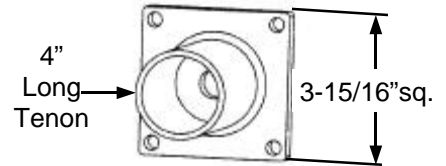
OPTIONS and ACCESSORIES



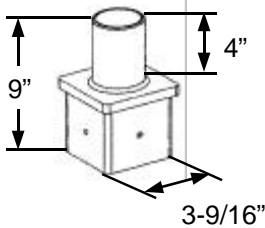
ETR1.
2-3/8" O.D., 2-1/8" I.D.
Tenon for 4" round poles



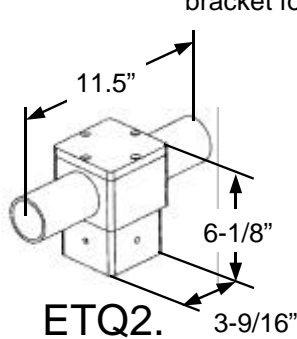
EB90.
90 Degree "L" mounting
bracket for 2-3/8" slip-fitter



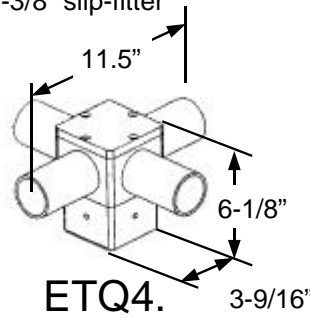
EBS.
2-3/8" O.D., 2-1/8" I.D.
Tenon Straight mounting
bracket for 2-3/8"
slip-fitter



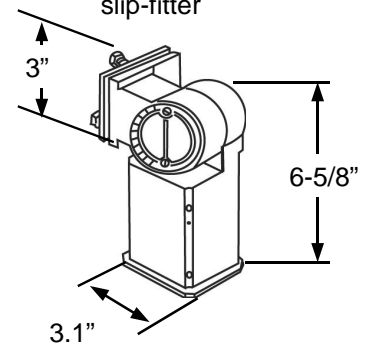
ETQ1.
Single 2-3/8" O.D.,
2-1/8" I.D. tenon for
4" square poles



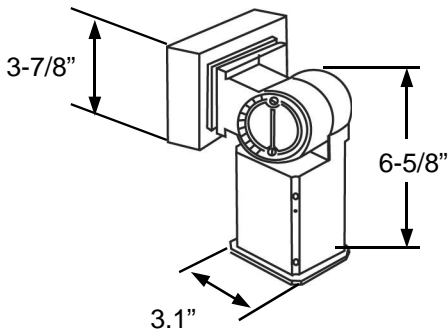
ETQ2.
Twin 2-3/8" O.
D., 2-1/8" I.D.
tenon for 4"
square poles



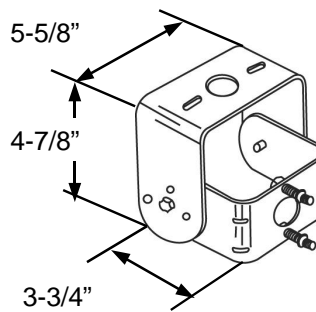
ETQ4.
Quad 2-3/8" O.
D., 2-1/8" I.D.
tenon for 4"
square poles



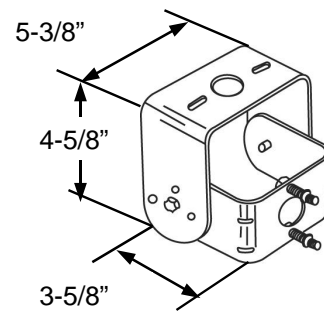
SF.
Die cast aluminum SF joint adjusts
over 180 degree arc. O.D. 2-4".
Powder coating.



SF.
Die cast aluminum SF joint adjusts
over 180 degree arc. O.D. 2-4".
Powder coating.



TR.
SPHC, Thick 6mm Adjusts over
180 degree arc. Mounting can be
locked securely in place. Powder
coating.



TR.
SPHC, Thick 3.5mm Adjusts over
180 degree arc. Mounting can be
locked securely in place. Powder
coating.



3254 North Kilbourn Avenue Chicago, Illinois 60641-4505
Phone: 773-427-7000 Fax: 800-217-1260 www.escolighting.com

A Woman-Owned Business
Established 1975

