



## SPECIFICATIONS

**Housing:** Aluminum .090" thick, 8" diameter, fastened to a cast aluminum base with three countersunk stainless steel screws. See finish note.

**Housing Top:** Spun aluminum .090" thick, 8" diameter dome with a radius edge. See finish note.

**Base:** Cast aluminum, provided with three anchor bolts (3/8"-16 X 8 1/2" long) for securing to a poured concrete foundation. Finished same as housing. See finish note.

**Lens:** Injection molded, 8" diameter, 1/4" thick white or clear polycarbonate, sealed and bonded to the housing and housing top to form a clean one-piece assembly.

**Ballast:** Philips 55 or 85 watt QL induction high frequency electronic ballast 120, 200—277 volt 50 or 60 Hz.

**Lamp:** Philips 55 watt QL induction electrodeless fluorescent lamp with average rated life 100,000 hours.

**Finish:** Detergent cleaned, acid etched and alodine dipped. Chip resistant powder urethane polyester coating, electrostatic applied and baked. Standard colors white or bronze. Custom colors are available. Contact factory.

**Labels:** ETL, CETL listed, suitable for wet location. I.B.E.W. labeled.

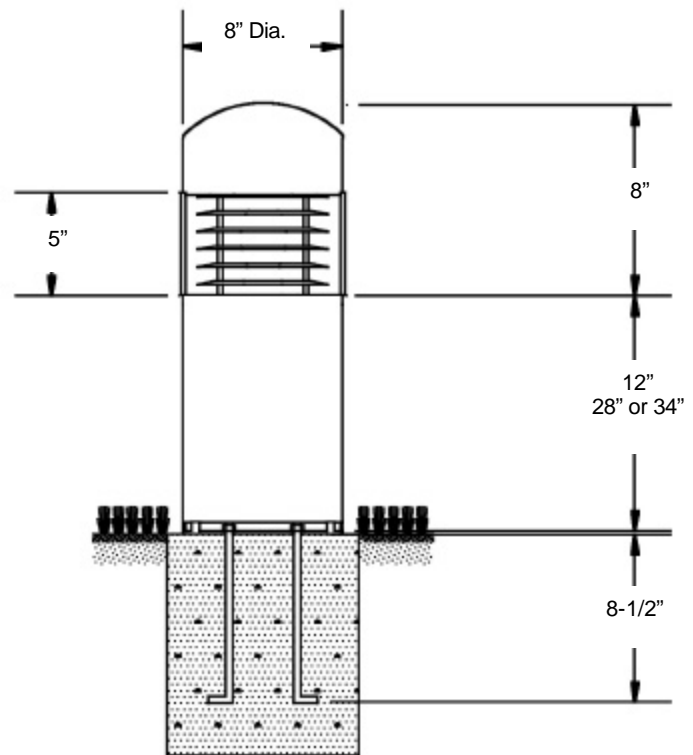
**Fixture Warranty:** The mechanics are guaranteed to be free from defective material and workmanship, under normal installation and operating conditions, for five years from date of shipment from the factory. All induction system components are warranted by the original manufacturer of the induction lighting system components, and subject to that manufacturer's warranty.

**Photometric Information:** Contact factory.

*SPECIFICATIONS SUBJECT TO CHANGE WITHOUT NOTICE*



## DIMENSIONS



3254 North Kilbourn Avenue Chicago, Illinois 60641-4505  
 Phone: 773-427-7000 Fax: 800-217-1260 [www.escolighting.com](http://www.escolighting.com)

**A Woman-Owned Business**  
**Established 1975**





**ORDERING INFORMATION**

**Clear polycarbonate lens with glass refractor.**



Catalog Number	Watts	Color Temp	Height
B4C730	55	3000k	20"
B4C740	55	4000k	20"
B4C750	55	5000k	20"
B4C830	85	3000k	20"
B4C840	85	4000k	20"
B4C850	85	5000k	20"
B5C730	55	3000k	36"
B5C740	55	4000k	36"
B5C750	55	5000k	36"
B5C830	85	3000k	36"
B5C840	85	4000k	36"
B5C850	85	5000k	36"
B6C730	55	3000k	42"
B6C740	55	4000k	42"
B6C750	55	5000k	42"
B6C830	85	3000k	42"
B6C840	85	4000k	42"
B6C850	85	5000k	42"

**White diffused polycarbonate lens.**



Catalog Number	Watts	Color Temp	Height
B4D730	55	3000k	20"
B4D740	55	4000k	20"
B4D750	55	5000k	20"
B4D830	85	3000k	20"
B4D840	85	4000k	20"
B4D850	85	5000k	20"
B5D730	55	3000k	36"
B5D740	55	4000k	36"
B5D750	55	5000k	36"
B5D830	85	3000k	36"
B5D840	85	4000k	36"
B5D850	85	5000k	36"
B6D730	55	3000k	42"
B6D740	55	4000k	42"
B6D750	55	5000k	42"
B6D830	85	3000k	42"
B6D840	85	4000k	42"
B6D850	85	5000k	42"

**Clear polycarbonate lens with internal louver.**



Catalog Number	Watts	Color Temp	Height
B4L730	55	3000k	20"
B4L740	55	4000k	20"
B4L750	55	5000k	20"
B5L730	55	3000k	36"
B5L740	55	4000k	36"
B5L750	55	5000k	36"
B6L730	55	3000k	42"
B6L740	55	4000k	42"
B6L750	55	5000k	42"

**Color Suffix**

**BZ**=Textured Bronze

**W**=Sky White

**Other** Consult Factory

**EXAMPLE ORDER NUMBER: B4D740W**= 20" high, white diffused polycarbonate lens. QL induction 55 watt lamp, 4000k, sky white.



3254 North Kilbourn Avenue Chicago, Illinois 60641-4505  
 Phone: 773-427-7000 Fax: 800-217-1260 [www.escolighting.com](http://www.escolighting.com)

**A Woman-Owned Business**  
**Established 1975**

