



SPECIFICATIONS

Mounting Pan: Nominal 2 X 2 pan, 20 gauge (.036") C.R. S. Finished matte white baked. Suitable for lay-in tee bar ceiling. Feed thru junction box maximum of 8 number 12 AWG branch circuit conductors suitable for at least 60°C permitted in box. See finish note.

Reflector: Spun aluminum .063" thick, #3002, finished. Polished specular finish.

Reflector Top: Extruded aluminum heat sink, dissipates heat from socket, keeps lamp system cool, extends lamp life.

Ballast:** QL Company Nedap induction high frequency electronic ballast. 165W Operating in a range of 200 to 277 volts, 55W and 85W 120 volt, 50 or 60 Hz. Contact factory for other voltages.

Lamp:** QL Company Nedap induction electrodeless fluorescent lamp with average rated life 100,000 hours.

Finish: Detergent cleaned, and finished with chip resistant TGIC powder urethane polyester coating, electrostatic applied and baked.

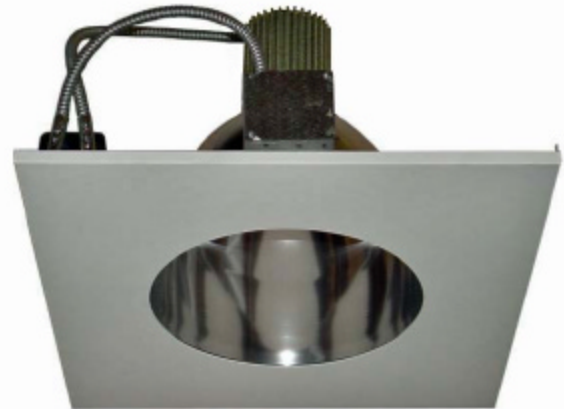
Labels: ETL, CETL listed, suitable for wet location under covered ceiling. I.B.E.W. labeled.

Fixture Warranty: The mechanics are guaranteed to be free from defective material and workmanship, under normal installation and operating conditions, for five years from date of shipment from the factory. All induction system components are warranted by the original manufacturer of the induction lighting system components, and subject to that manufacturer's warranty.

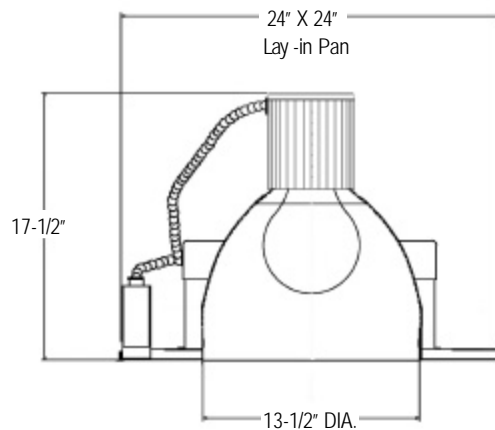
Photometric Information: Contact factory or visit www.escolighting.com.

SPECIFICATIONS SUBJECT TO CHANGE WITHOUT NOTICE

****Alternate system available by Fulham**



DIMENSIONS



3254 North Kilbourn Avenue Chicago, Illinois 60641-4505
 Phone: 773-427-7000 Fax: 800-217-1260 www.escolighting.com


A Woman-Owned Business
Established 1975

3/2010





HOW TO ORDER

Architectural Open Downlight	Induction System	Catalog Number	Wattage	Color Temp
	QL Company Nedap	R0730	55w	3000k
	QL Company Nedap	R0740	55w	4000k
	QL Company Nedap	R0750	55w	5000k
	**Fulham	RF0750	55w	5000k
	QL Company Nedap	R0830	85w	3000k
	QL Company Nedap	R0840	85w	4000k
	QL Company Nedap	R0850	85w	5000k
	**Fulham	Rf0850	85w	5000k
	QL Company Nedap	R0930	165w	3000k
	QL Company Nedap	R0940	165w	4000k
	QL Company Nedap	R0950	165w	5000k
	**Fulham	RF0950	165w	5000k

EXAMPLE ORDER NUMBER: R0730= QL induction 55 watt lamp, architectural open downlight, 3000k.

****Fulham Induction System=** Add F prefix to catalog number.

EXAMPLE ORDER NUMBER: RF0950= Fulham induction System 165 watt lamp, architectural open downlight, 5000k.

ACCESSORIES



Fuse and Fuse Holder
Suffix Catalog Number With "F"

Quartz Re-strike Systems

Suffix Catalog Number With



- E1A Mini-can socket assembly for separate circuit entry with relay system for one lamp burning only.
- E2 Emergency re-strike system, mini-can socket assembly (100—250 watt max. lamp).
- E65 Emergency re-strike system, mini-can socket assembly (100—250 watt max. lamp) with time delay relay.



3254 North Kilbourn Avenue Chicago, Illinois 60641-4505
Phone: 773-427-7000 Fax: 800-217-1260 www.escolighting.com

A Woman-Owned Business
Established 1975

