



**SPECIFICATIONS**

**Mounting Pan:** Nominal 2 X 2 pan, 20 gauge (.036") C.R.S. Finished matte white baked. Suitable for lay-in tee bar ceiling. Feed thru junction box maximum of 8 number 12 AWG branch circuit conductors suitable for at least 60°C permitted in box. See finish note.

**Reflector:** Spun aluminum .063" thick, #3002, finished. Polished specular finish.

**Reflector Top:** Extruded aluminum for maximum heat dissipation.

**Ballast:** 55 or 85 watt induction high frequency electronic ballast. Operating in a range of 120 - 277 volts, 50 or 60 Hz. See chart.

**Lamp:** 55 or 85 watt induction electrodeless fluorescent lamp with average rated life 100,000 hours. See chart.

**Finish:** Detergent cleaned, and finished with chip resistant TGIC powder urethane polyester coating, electrostatic applied and baked.

**Labels:** ETL, CETL listed, suitable for wet location under covered ceiling. I.B.E.W. labeled.

**Fixture Warranty:** The mechanics are guaranteed to be free from defective material and workmanship, under normal installation and operating conditions, for five years from date of shipment from the factory. See general terms and conditions.

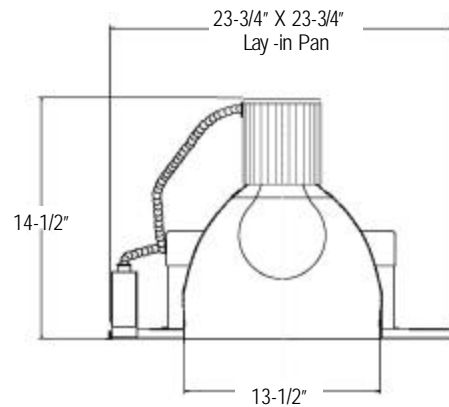
**Maximum Ambient Temperature:** Maximum 122°F.

**Photometric Information:** Contact factory or visit [www.escolighting.com](http://www.escolighting.com).

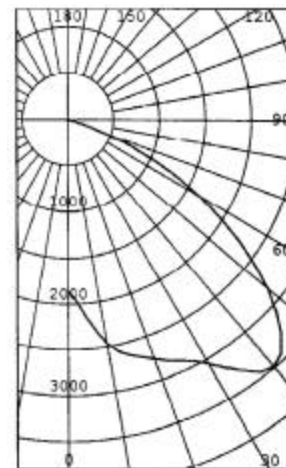
**SPECIFICATIONS SUBJECT TO CHANGE WITHOUT NOTICE**



**DIMENSIONS**



**PHOTOMETRICS**




**WBE City of Chicago Certified**


3254 North Kilbourn Avenue Chicago, Illinois 60641-4505  
 Phone: 773-427-7000 Fax: 800-217-1260 [www.escolighting.com](http://www.escolighting.com)  
**Established 1975**





**HOW TO ORDER**

Architectural Open Downlight	Catalog Number	Lamp	Color Temp	Initial Lumens	CRI	Voltage Suffix
	RF0735	55w	3500K	4125	80	1=120V
	RF0741	55w	4100K	4125	80	2=208V
	RF0750	55w	5000K	4125	80	3=240V
	RF0835	85w	3500K	6375	80	4=277V
	RF0841	85w	4100K	6375	80	
	RF0850	85w	5000K	6375	80	

Architectural Open Downlight With Mini Groove Black Baffle	Catalog Number	Lamp	Color Temp	Initial Lumens	CRI
	RF1735	55w	3500K	4125	80
	RF1741	55w	4100K	4125	80
	RF1750	55w	5000K	4125	80
	RF1835	85w	3500K	6375	80
	RF1841	85w	4100K	6375	80
	RF1850	85w	5000K	6375	80

**EXAMPLE ORDER NUMBER: RF0850=** Induction System 85 watt lamp, architectural open downlight, 5000k.

**ACCESSORIES**

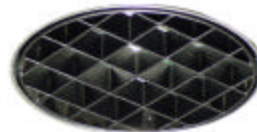


**Fuse and Fuse Holder**  
 Suffix Catalog Number With "F"



**Occupancy Sensor**  
 360° 48' coverage at 8' height Add suffix **OS2**  
 360° 40' coverage at 20' height Add suffix **OS3**

**Louver Guard**  
 Suffix Catalog Number With **LG3**



**WBE City of Chicago Certified**  
 3254 North Kilbourn Avenue Chicago, Illinois 60641-4505  
 Phone: 773-427-7000 Fax: 800-217-1260 [www.escolighting.com](http://www.escolighting.com)  
 Established 1975

