

SPECIFICATIONS

Cylinder: .080" thick aluminum rolled and seam welded. See finish note.

Reflector: .040" thick, spun aluminum polished to a specular finish, anodized and sealed.

Lens: Corning #73 prismatic tempered glass mounted in a cast aluminum frame silicone sealed.

Baffle: One-piece spun aluminum finished matte black.

Ballast: Philips QL induction high frequency electronic ballast 120V or 200-277V.

Lamp: Philips QL induction electrodeless fluorescent 165 watt lamp with average rated life of 100,000 hours.

Mounting Pan: (Surface Mount) Cast aluminum with 3/4" inner collar, 16" dia. supplied with steel mounting strap to mount directly to outlet box. Supports pan with 4-1/4 x 20 threaded studs and nuts. Finished to match cylinder housing.

Canopy Set: (Pendant Mount) 8" steel canopy 0-45° hang straight for 3/4" I.P.. 12" long stem (standard) finished to match housing.

Wall Bracket Assembly: (Wall Mount) One-piece cast aluminum bracket / arm assembly with access plate for wire inspection. Cast aluminum, wall mounting plate with 1/4" thick neoprene gasket. Quick disconnect wiring harness. Esco's **EZ5 Mounting System** allows the contractor to install the fixture in 5 minutes or less. Finished same as housing. See finish note.

Finish: Detergent cleaned with iron phosphate and chromic acid rust inhibitor. Chip resistant powder urethane polyester coating, electrostatic applied and baked. Standard colors are textured black, textured bronze and white. Custom colors are available. Consult factory or sales representative.

Labels: ETL / CETL, I.B.E.W. 134 labeled; Surface mounted suitable for wet locations under covered ceiling. Pendant mount damp location, wall mount wet location.

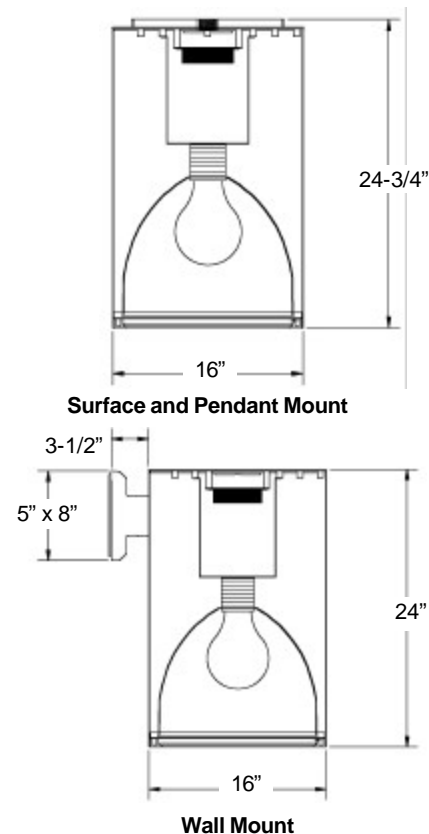
Fixture Warranty: The mechanics are guaranteed to be free from defective material and workmanship, under normal installation and operating conditions, for ten years from date of shipment from the factory. Contact factory for lamp and ballast warranty.

Photometric Information: Contact factory.

SPECIFICATIONS SUBJECT TO CHANGE WITHOUT NOTICE



Dimensions:



3254 North Kilbourn Avenue Chicago, Illinois 60641-4505
Phone: 773-427-7000 Fax: 800-217-1260 www.escolighting.com

A Woman-Owned Business




Established 1975



ESCO LIGHTING, INC.

Municipality SA7000 Series 16" Diameter Indoor / Outdoor Cylinder Wall, Surface or Pendant Mount Philips QL Induction Lamp

ORDERING INFORMATION

Open Downlight	Surface Mount	Lamps	Color Temp	Mini-Groove Black Baffle*	Surface Mount	Lamps	Color Temp	C73 Tempered Prismatic Glass Lens	Surface Mount	Lamps	Color Temp
	SA70930	165w	3000k		SA71930	165w	3000k		SA72930	165w	3000k
	SA70940	165w	4000K		SA71940	165w	4000k		SA72940	165w	4000K

Voltage Suffix

1= 120V

4= 200V-277V

OPTIONS & ACCESSORIES

Wall Mount Prefix

Cast aluminum wall mount option. Change "S" in catalog number to "W".



Pendant Mount Suffix

P1=12" long stem (standard)
P2X= "X" is stem length other than 12".



Fuse and Fuse Holder

Suffix Catalog Number With "F"



Color Suffix

BZ= Textured Bronze, BL= Textured Black, W= Sky White.

EXAMPLE ORDER NUMBER: SA71930P124BL = QL induction 165 watt lamp, 3000k, with mini-groove black baffle and 24" stem, textured black.



3254 North Kilbourn Avenue Chicago, Illinois 60641-4505
Phone: 773-427-7000 Fax: 800-217-1260 www.escolighting.com

A Woman-Owned Business

Established 1975

