



SPECIFICATIONS

Lamp Housing: Die-cast aluminum (Alloy #319)
 One piece construction. See finish note.

Reflector: Die formed one-piece aluminum painted high gloss, heat resistant white TGIC polyester powder for 90% reflectance.

Ballast: OSRAM SYLVANIA QUICKTRONIC® induction high frequency electronic ballast 120-277 volt. See ordering information.

Lens: Acrylic mounted to lamp housing with 4 captive screws and oversized "O" ring to seal screw holes. Housing has one-piece molded gasket to seal lens to housing. Prevents contaminants from entering optical chamber.

Lamp: SYLVANIA ICETRON® lamp from OSRAM SYLVANIA inductively coupled electrodeless fluorescent lamp with average rated life 100,000 hours. See ordering information.

EZ5® Mounting System: Cast Aluminum 5/32" thick EZ5® splice box mounts to standard 4" octagonal junction box. Safety clip supports cylinder for hands free splice connection. Three #10-32 screws set 120° apart for twist and lock-up of cylinder to splice box. Supplied with quick-connect wiring harness. EZ5® design allows the contractor to install the fixture in 5 easy minutes or less. See illustration above. Finished same as housing. See finish note.

Canopy Set: (Pendant Mount)* 0-45° hang straight for 3/8" x 12" long steel pipe standard length with P2 accessory. Other lengths available. Finished to match housing.

Finish: Detergent cleaned with iron phosphate and chromic acid rust inhibitor. Chip resistant powder urethane polyester coating, electro-static applied and baked. Standard color textured bronze (BZ). Custom colors are available. Consult factory or sales representative.

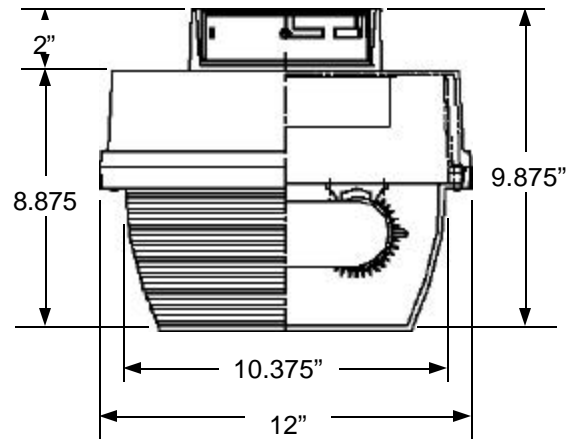
Labels: ETL, CETL listed & I.B.E.W labeled; suitable for wet location under covered ceiling.

Fixture Warranty: The fixture parts and mechanics are warranted to be free from defective material and workmanship, under normal installation and operating conditions, for ten years from date of shipment from the factory.** Fixture replacement warranted for five years from date of shipment from the factory. See General Terms and Conditions. 106°F Maximum operating temperature.

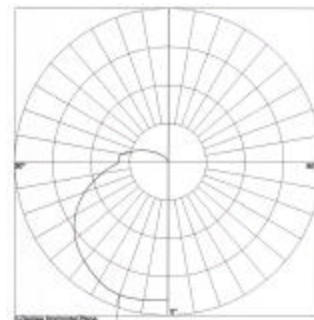
Photometric Information: Contact factory.



DIMENSIONS



PHOTOMETRICS



*Canopy set for indoor applications only; contact factory for other applications and designs.
 **Application must be approved by Osram Sylvania. Does not include acrylic lens.

SPECIFICATIONS SUBJECT TO CHANGE WITHOUT NOTICE



WBE City of Chicago Certified
 3254 North Kilbourn Avenue Chicago, Illinois 60641-4505
 Phone: 773-427-7000 Fax: 800-217-1260 www.escolighting.com
Established 1975





HOW TO ORDER



Surface Mount Acrylic Lens	Lamp	Ballast	Color Temp	Voltage Range	System Lumens
Si10235	ICE/40W	ICE/40W	3500K	120V-277V	2800
Si10241	ICE/40W	ICE/40W	4100K	120V-277V	2800
Si10250	ICE/40W	ICE/40W	5000K	120V-277V	2800

Color Suffix: **BZ**=Textured Bronze, **Other** Consult Factory

EXAMPLE: Si10241BZ = 40W SYLVANIA ICETRON® lamp from OSRAM SYLVANIA, 100W QUICKTRONIC ballast, 4100K, acrylic lens, textured bronze.

ACCESSORIES AND OPTIONS

Pendant Mount Suffix

P2A=12" long stem standard
 (14" overall canopy set length)

P2AX="X" is custom stem length

EXAMPLE: P2A24= 24" long stem.



Photo Control*

Suffix Catalog # With

PC4 =120 Volt

PC5 =277 Volt



Fuse and Fuse Holder*

Suffix Catalog Number With F



*120 or 277 volt must be specified when ordering a Photo Control or Fuse and Fuse Holder.

Voltage Suffix 1= 120V, 4= 277V

WBE City of Chicago Certified

3254 North Kilbourn Avenue Chicago, Illinois 60641-4505
 Phone: 773-427-7000 Fax: 800-217-1260 www.escolighting.com
 Established 1975

