

### SPECIFICATIONS

**Cylinder:** .080" Aluminum, rolled and seam welded. See finish note.

**Reflector:** Spun aluminum #3002, polished to a mirror finish then electro-chemically processed to provide specular finish.

**Lamp:** Up to 300W R40 or 200W PS25 lamps (by others).

**Lamp Holder:** High heat porcelain, 4 KV rated with nickel plated copper screw shell, spring loaded center contact, lamp grips, SF-2 leads (200° C). Impregnated gasket.

**Mounting Pan (Surface Mount):** Cast aluminum with 3/4" inner collar, finished to match cylinder housing.

**Mounting Strap (Surface Mount):** Galvanized steel, mounts directly to outlet box. Supports pan with 1/4 x 20 studs and wing nuts. Flush style.

**Canopy Set (Pendant Mount)** 0-45° hang straight for 3/8" x 12" long steel pipe standard length with P2 accessory. Finished to match housing.\*\*

**EZ5 Wall Bracket (Wall Mount):** One-piece cast aluminum bracket/arm assembly with access plate for wire inspection. Cast aluminum, wall mounting plate with 1/4" thick neoprene gasket. Quick disconnect wiring harness.

**Finish:** Detergent cleaned with iron phosphate and chromic acid rust inhibitor. Chip resistant powder urethane polyester coating, electro-static applied and baked. Standard colors black, white and bronze. Custom colors are available. Consult factory or sales representative.

**Labels:** Surface and pendant mount suitable for damp location; wall mount suitable for wet location. ETL, CETL and I.B.E.W. labeled.

**Installation Ambient Temperature:** Maximum 43°C /



Surface Mount

Pendant Mount

Wall Mount

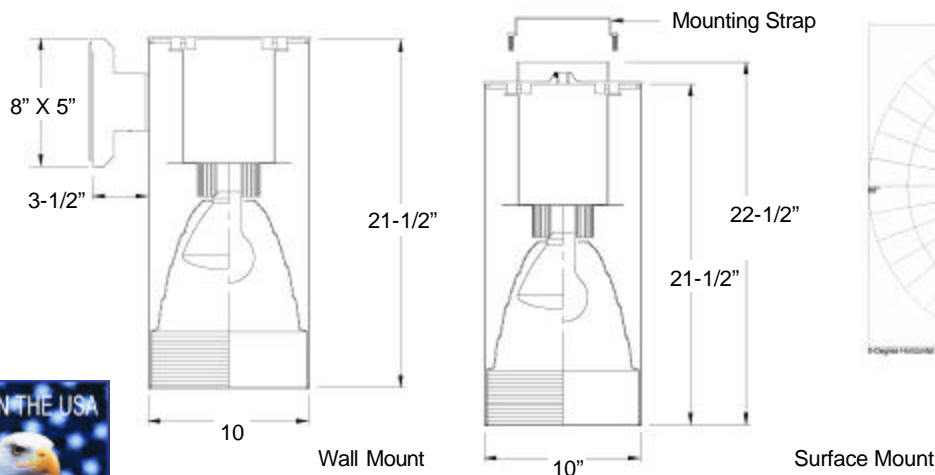
110°F surface mount, 58°C / 135°F pendant mount and wall mount. **Fixture Warranty:** The fixture mechanics are guaranteed to be free from defective material and workmanship, under normal installation and operating conditions, for ten years from date of shipment from the factory. See General Terms and Conditions.

**Photometric Information:** Contact factory.

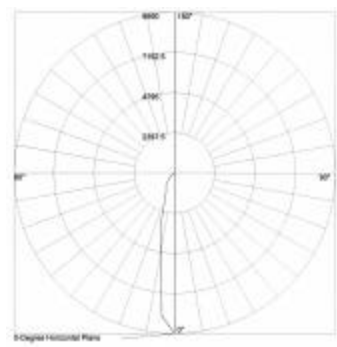
\*\*Canopy set for indoor applications only; contact factory for other applications and designs.

**SPECIFICATIONS SUBJECT TO CHANGE WITHOUT NOTICE**

### DIMENSIONS



### PHOTOMETRICS



**WBE City of Chicago Certified**

3254 North Kilbourn Avenue Chicago, Illinois 60641-4505  
 Phone: 773-427-7000 Fax: 800-217-1260 [www.escolighting.com](http://www.escolighting.com)  
**Established 1975**



## HOW TO ORDER

Surface Mount Incandescent Cylinder	
Catalog Number	Maximum Wattage
Si600010 Surface mount open aperture.	200W PS25 or 300W R40 Lamp
Si610010 Surface mount open with baffle.	200W PS25 or 300W R40 Lamp

Color Suffix  
 Catalog Number  
 With

W= White

BZ= Bronze

BL= Black

**EXAMPLE : Wi600010BZ** = Wall mounted 200W lamp, open aperture, textured bronze.

## ACCESSORIES

**EZ5 Wall Mount**  
 Change Prefix **S** to **W**.



**Pendant Mount Suffix**  
 P2=12" long stem (standard)  
 P2X="X" is custom stem length  
**EXAMPLE:** P224= 24" long stem.



**Photo Control**  
 Suffix Catalog # With

**PC4** =120 Volt

**PC5** =277 Volt



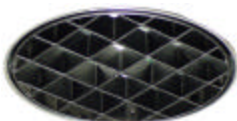
**Fuse and Fuse Holder**  
 Suffix Catalog Number With **F**



**Mini-Groove Black Baffle**  
 Replace **60** in catalog number with **61**



**Louver Guard**  
 Suffix catalog number with **LG3**.



**Ballast Options**

**EM**= Emergency Ballast

**DM**= Dimming Ballast

**Color**  
 Suffix Catalog  
 Number With

**W**= White

**BZ**= Bronze

**BL**= Black



**WBE City of Chicago Certified**

3254 North Kilbourn Avenue Chicago, Illinois 60641-4505  
 Phone: 773-427-7000 Fax: 800-217-1260 [www.escolighting.com](http://www.escolighting.com)  
 Established 1975

